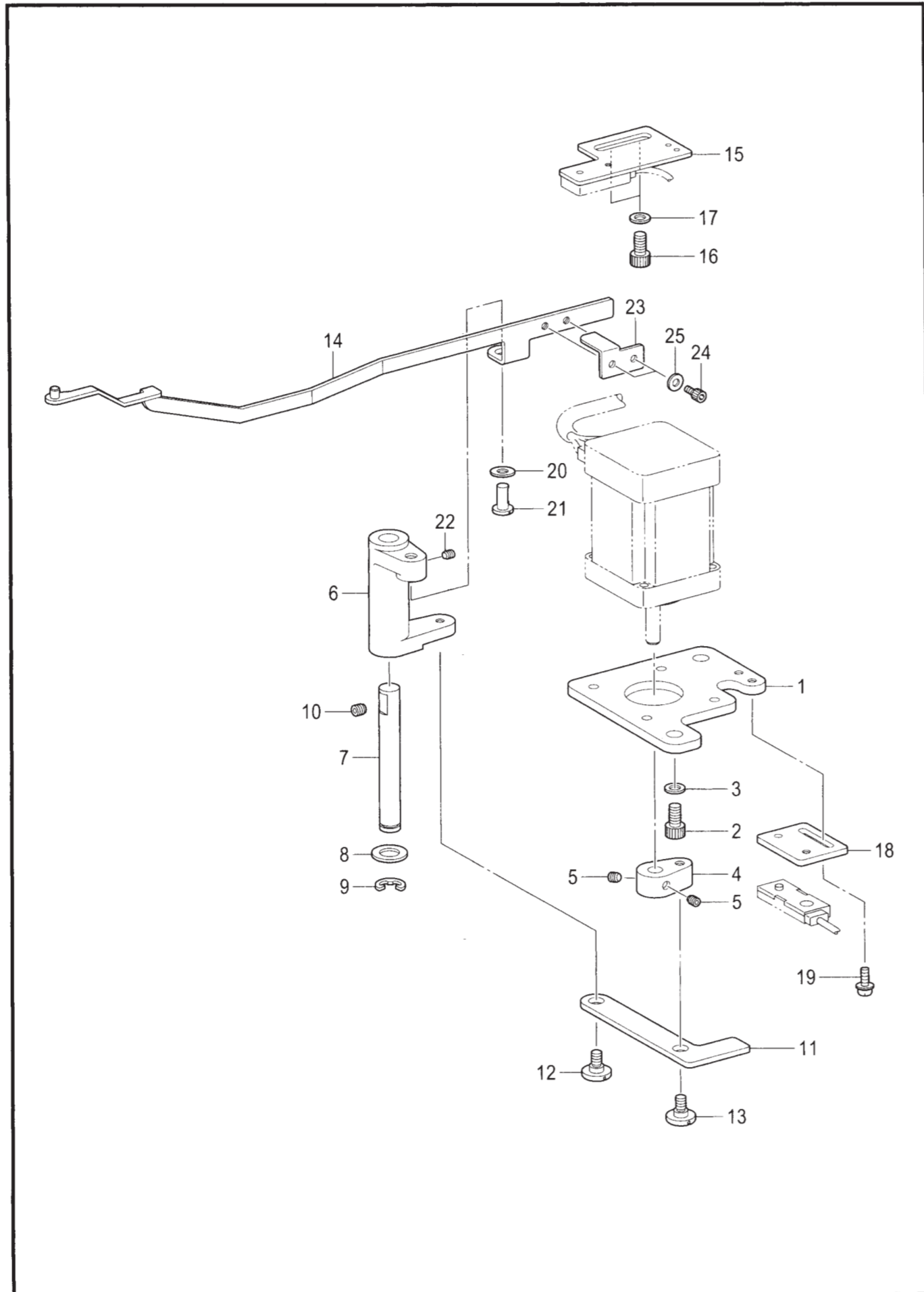


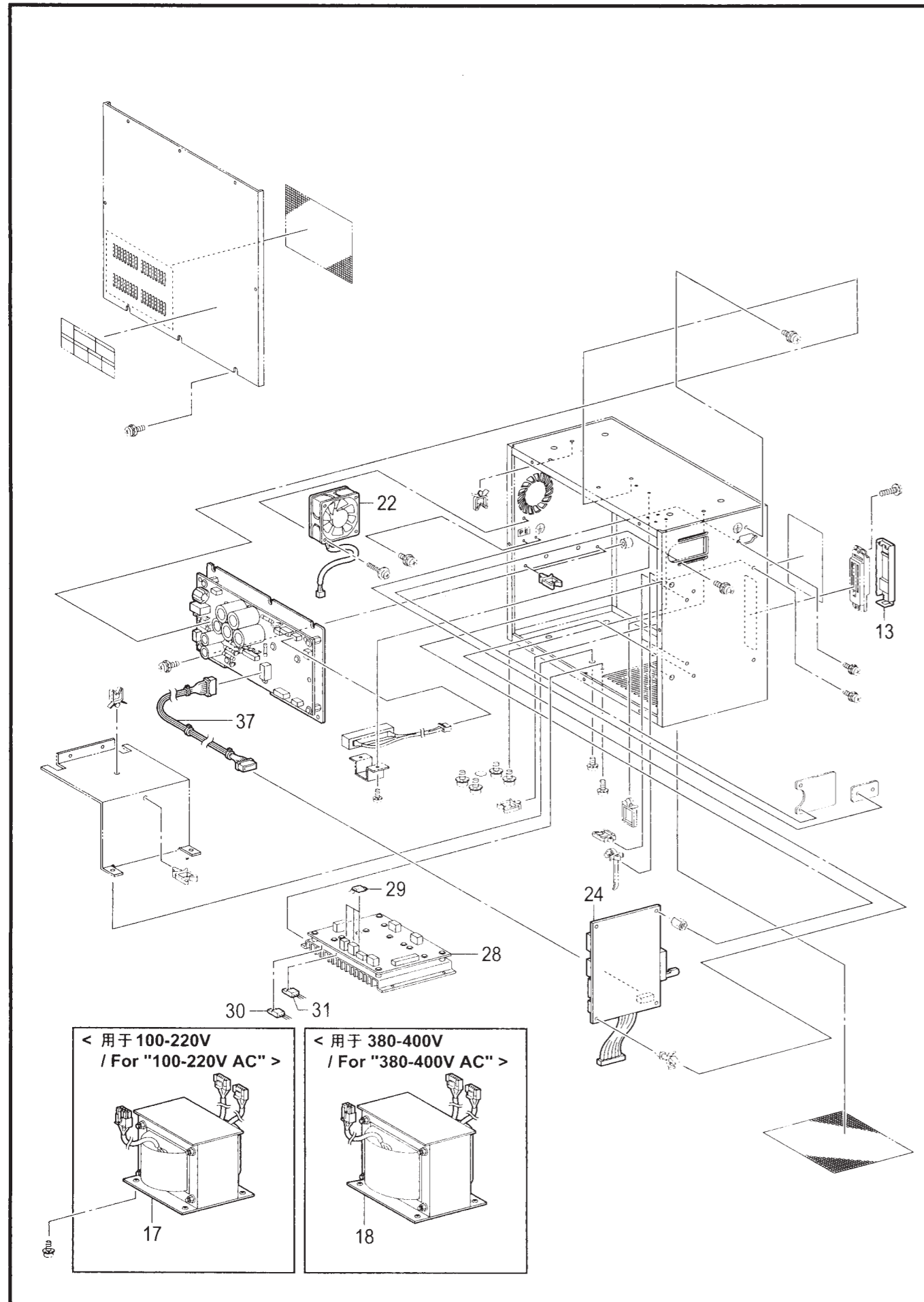
N. 夹线装置 / Thread nipper mechanism



N. 夹线装置 / Thread nipper mechanism

参照号	零部件序号	数量	零部件名称	NAME OF PARTS	RM
1	CSA3351001	1	TN马达安装板	SETTING PLATE, TN-MOTOR	
2	C018061236	2	螺栓 M6X12	BOLT, SOCKET M6X12	
3	C155559001	2	平垫圈 M6	WASHER, PLAIN M 6	
4	CSA3352101	1	马达曲柄	TN-MOTOR LEVER	
5	C012400436	2	螺钉 M4X4	SET SCREW, SOCKET (FT) M4X4	
6	CSA3353201	1	夹线曲柄	TN-LEVER	
7	CSA3354001	1	夹线曲柄轴	TN-LEVER SHAFT	
8	C153596001	1	垫圈	WASHER	
9	C048070342	1	挡圈 E7	RETAINING RING, E7	
10	C012060636	1	螺钉 M6X6	SET SCREW, SOCKET (FT) M6X6	
11	CSA3355001	1	夹线连接板 B	TN-CONNECTING PLATE B	
12	CSA4461001	1	段螺钉 6-2.5	SHOULDER SCREW, 6-3.5	
13	CSA4354001	1	段螺钉 6-1.8	SHOULDER SCREW, 6-1.8	
14	CSA3357101	1	夹线连接板组件 F	TN-CONNECTING PLATE ASSY F	
23	CSA5137001	1	TN传感器挡块	TN-SENSOR DOG	
24	C018300636	2	螺栓 M3X6	BOLT SOCKET M3X6	
25	C025030236	2	平垫圈 M3	WASHER PLAIN M 3	
15	CSA5138001	1	TN传感器安装板 B	SETTING PLATE B, TN-SENSOR	
16	C018061236	2	螺栓 M6X12	BOLT, SOCKET M6X12	
17	C155559001	2	平垫圈 M6	WASHER, PLAIN	
18	CSA3361001	1	TN传感器安装板 F	SETTING PLATE F, TN-SENSOR	
19	C0A4300805	2	螺栓(带垫圈) M3X8DA	SCREW, PAN (S/P WASHER) M3X8	
20	C155559001	1	平垫圈 M6	WASHER, PLAIN	
21	CS10202201	1	连杆曲柄短轴	LEVER SHAFT	
22	C012400436	1	螺钉 M4X4	SET SCREW SOCKET (FT) M4X4	

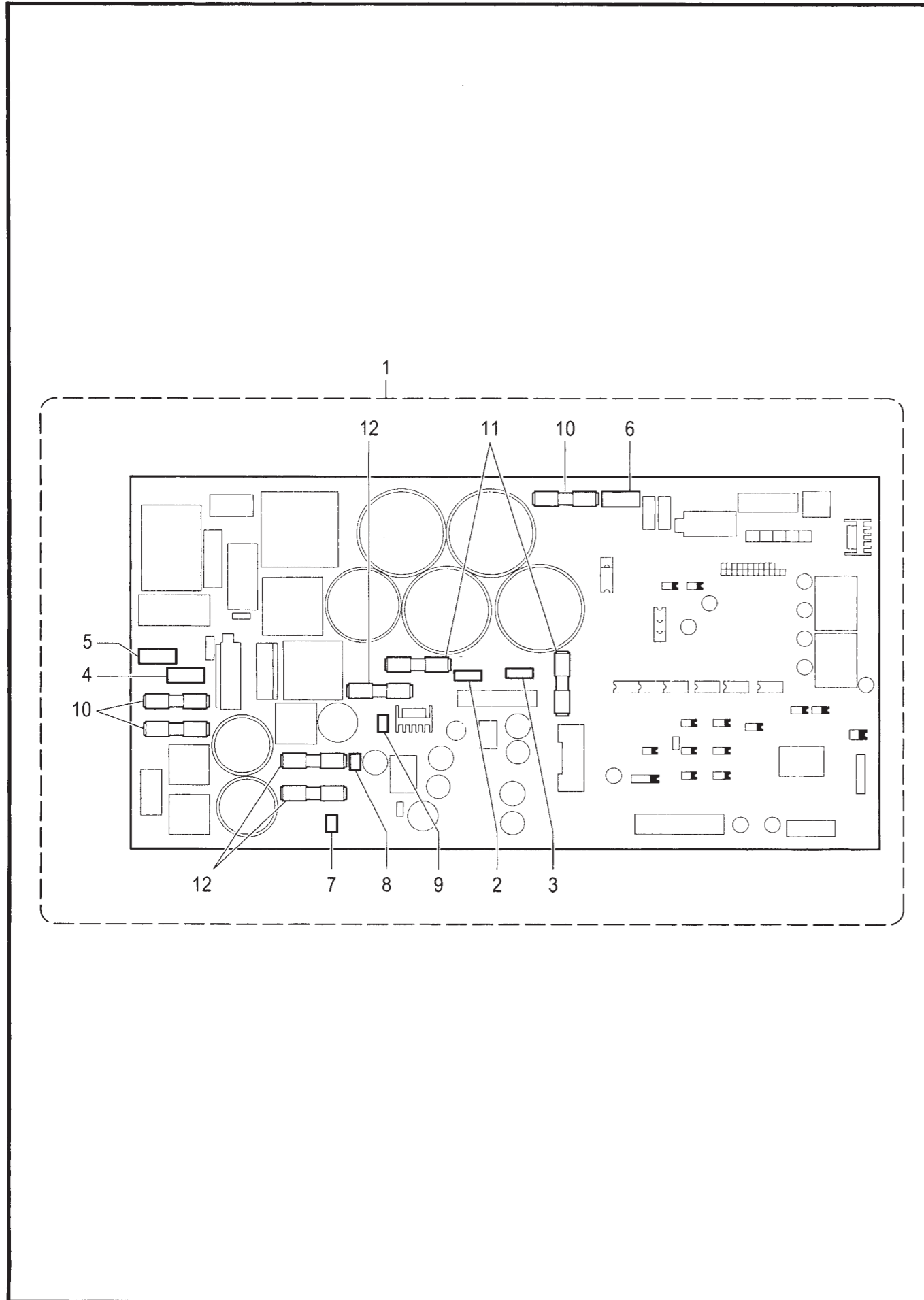
P1. 控制箱装置 / Control box mechanism



P1. 控制箱装置 / Control box mechanism

参照号	零部件序号	数量	零部件名称	NAME OF PARTS	RM
13	CSA6364001	1	盖组件 CF	CF CAP ASSY	
17	CSA3720001	1	<用于100-220V> 变压器 LV	<For "100-220V AC"> TRANSFORMER LOW VOLTAGE	
18	CSA3808001	1	<用于380-400V> 变压器 HV	<For "380-400V AC"> TRANSFORMER HIGH VOLTAGE	
22	CSA3797001	1	DC风扇马达组件	DC-FAN MOTOR ASSY	
24	CSA3724101	1	主基板组件	PCB ASSY,MAIN	
28	CSA3739301	1	基板组件 PMD	PCB ASSY,PMD	
29	CSA3744001	3	FET FS10ASJ-2	TRANSISTOR, FET:FS10ASJ-2	
30	CSA3722001	1	MOSFET FX20KMJ2	TRANSISTOR, FET:FX20KMJ-2	
31	CS49484000	1	MOSFETFS10KMJ-2	TRANSISTOR, FET:FS10KMJ-2	
37	CSA3806001	1	电线	HARNESS, MAIN POWER SUPPLY	

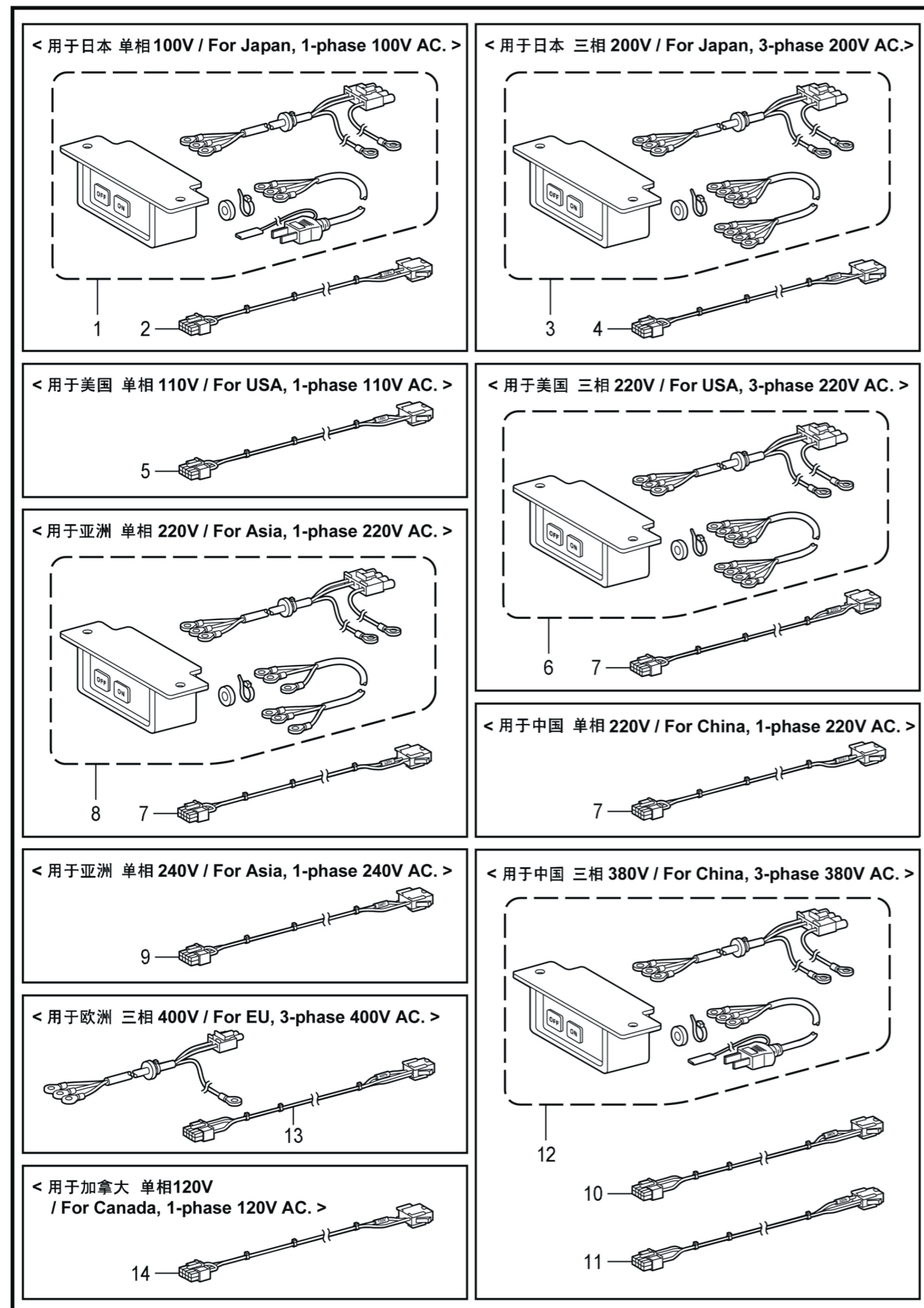
P2. 控制箱装置(电源基板) / Control box (PCB) mechanism



P2. 控制箱装置(电源基板) / Control box (PCB) mechanism

参照号	零部件序号	数量	零部件名称	NAME OF PARTS	RM
1	CSA3755201	1	电源马达基板组件	PCB ASSY,POWER SUPPLY MOTOR	
2	CSA3765001	1	电阻 V10D101	VARISTOR:V10D101	
3	CSA3766001	1	电阻 V10D241	VARISTOR:V10D241	
4	CSA3767001	1	电阻 V14D511	VARISTOR:V14D511	
5	CSA3762001	1	电阻 V14D911	VARISTOR:V14D911	
6	CSA3768001	1	电阻 V14D561	VARISTOR:V14D561	
7	CSA3769001	1	电阻 V5D121	VARISTOR:V5D121	
8	CSA3770001	1	电阻 V5D330	VARISTOR:V5D330	
9	CSA3771001	1	电阻 V5D820	VARISTOR:V5D820	
10	CSA3794001	3	保险丝 250V-15A	G FUSE S 15A	
11	CSA3795001	2	保险丝 250V-6A	G FUSE S 6A	
12	C616167001	3	保险丝 250V-3A	G FUSE S 3A	

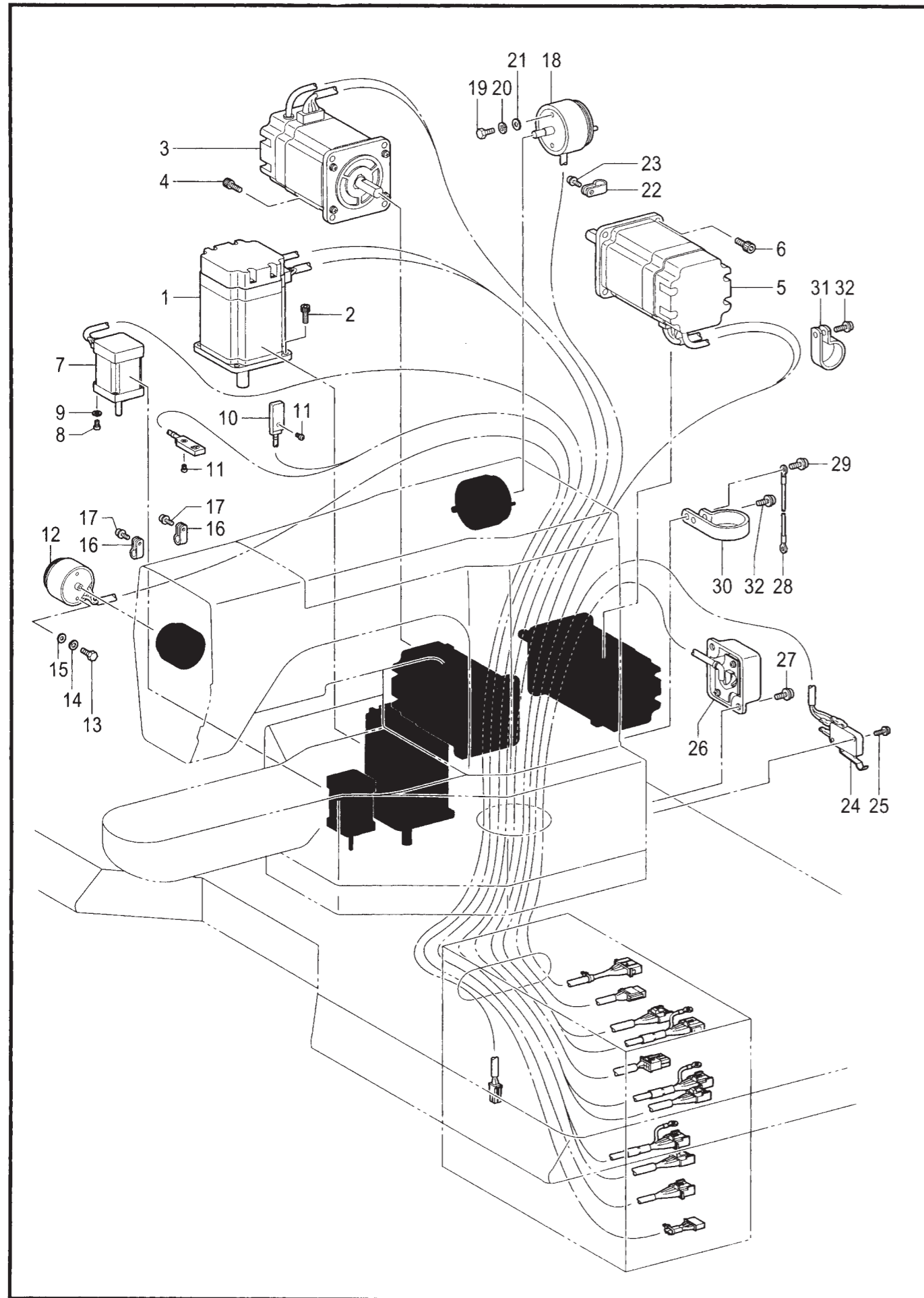
Q. 开关装置 / Power switch mechanism



Q. 开关装置 / Power switch mechanism

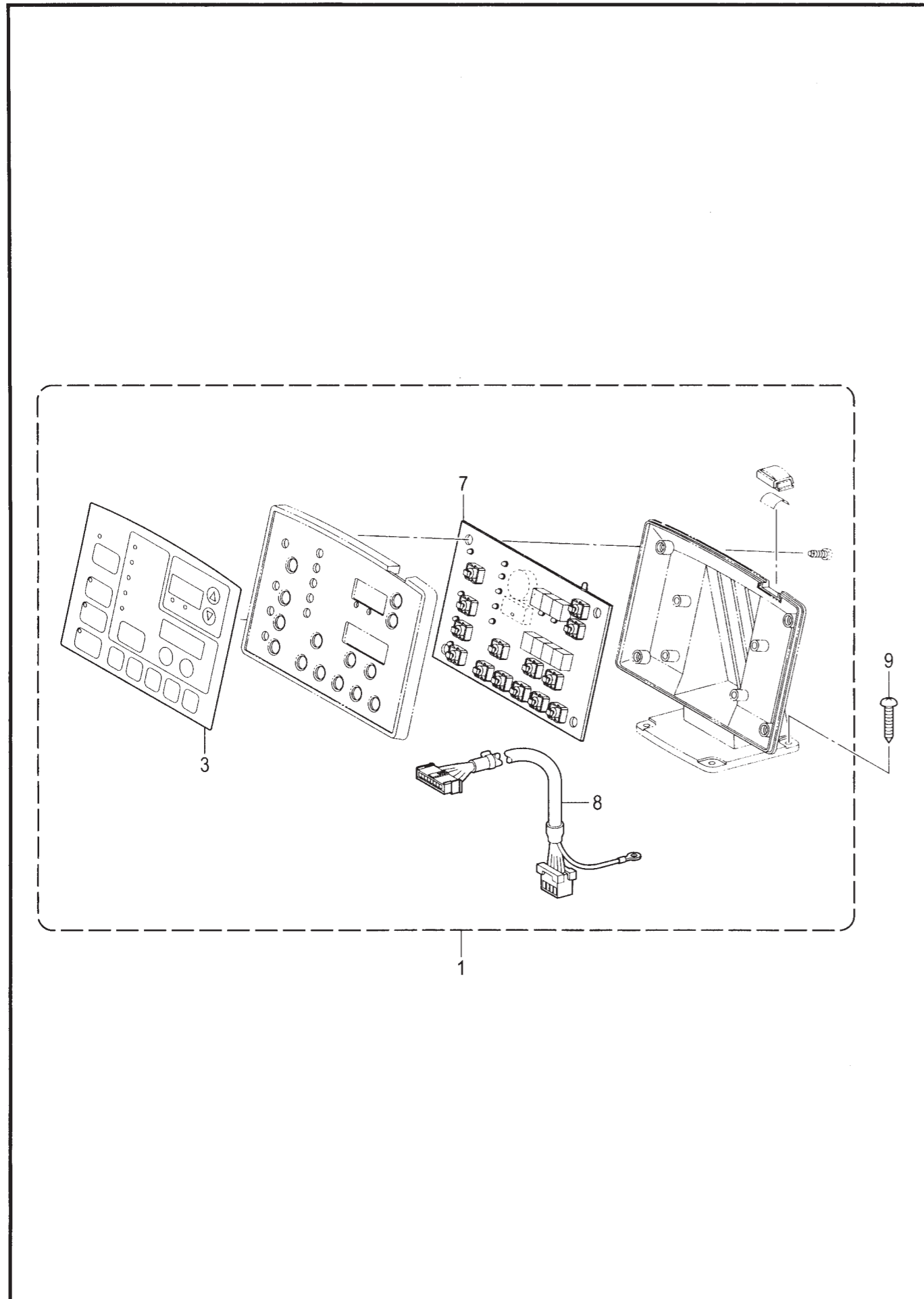
参照号	零部件序号	数量	零部件名称	NAME OF PARTS	RM
1	CSA3813001	1	< 用于日本 单相 100V > 电源开关组件 1P-JP	< For Japan, 1-phase 100V AC. > POWER SUPPLY SWITCH ASSY,1P-JP	
2	CSA3822001	1	V切换电线 100V	VOLTAGE SELECT HARNESS 100V	
3	CSA3819001	1	< 用于日本 三相 200V > 电源开关组件 3P-JP	< For Japan,3-phase 200V AC. > POWER SUPPLY SWITCH ASSY,3P-JP	
4	CSA3825001	1	V切换电线 200V	VOLTAGE SELECT HARNESS 200V	
5	CSA3823001	1	< 用于美国 单相 110V > V切换电线 110V	< For USA,1-phase 110V AC. > VOLTAGE SELECT HARNESS 110V	
6	CSA3816001	1	< 用于美国 三相 220V > 电源开关组件 3P-L	< For USA,3-phase 220V AC. > POWER SUPPLY SWITCH ASSY,3P-L	
7	CSA3812001	1	V切换电线 220V	VOLTAGE SELECT HARNESS 220V	
8	CSA3809001	1	< 用于亚洲 单相 220V > 电源开关组件 1P	< For Asia, 1-phase 220V AC. > POWER SUPPLY SWITCH ASSY,1P	
7	CSA3812001	1	V切换电线 220V	VOLTAGE SELECT HARNESS 220V	
9	CSA3826001	1	< 用于亚洲 单相 240V > V切换电线 240V	< For Asia, 1-phase 240V AC. > VOLTAGE SELECT HARNESS 240V	
7	CSA3812001	1	< 用于中国 单相 220V > V切换电线 220V	< For China,1-phase 220V AC. > VOLTAGE SELECT HARNESS 220V	
10	CSA3827001	1	< 用于中国 三相 380V > V切换电线 380V	< For China,3-phase 380V AC. > VOLTAGE SELECT HARNESS 380V	
11	CSA3789101	1	V切换电线 H220V	VOLTAGE SELECT HARNESS H220V	
12	CSA4510001	1	电源开关组件 3P-H	POWER SUPPLY SWITCH ASSY,3P-H	
13	CSA3828001	1	< 用于欧洲 三相 400V > V切换电线 400V	< For Europe,3-phase 400V AC. > VOLTAGE SELECT HARNESS 400V	
14	CSA3824001	1	< 用于加拿大 单相 120V > V切换电线 120V	< For Canada, 1-phase 120V AC. > VOLTAGE SELECT HARNESS 120V	





参照号	零部件序号	数量	零部件名称	NAME OF PARTS	RM
1	CSA3465101	1	脉冲马达组件 X	PULSE MOTOR ASSY,X	
2	C018401036	4	螺栓 M4X10	BOLT, SOCKET M4X10	
3	CSA3469101	1	脉冲马达组件 Y	PULSE MOTOR ASSY,Y	
4	C018400836	4	螺栓 M4X8	BOLT, SOCKET M4X8	
5	CSA3472101	1	脉冲马达组件 P	PULSE MOTOR ASSY,P	
6	C018401036	4	螺栓 M4X10	BOLT, SOCKET M4X10	
7	CSA4127001	1	夹线组件	PULSE MOTOR ASSY,THREAD CATCH	
8	C062300816	4	螺钉 M3X8	SCREW, PAN M3X8	
9	C028030246	4	弹簧垫圈 2-3	WASHER, SPRING 2-3	
10	CSA3477001	1	夹线原点传感器组件	HOME POSITION SENSOR THREAD-C	
11	C062300816	2	螺钉 M3X8	SCREW, PAN M3X8	
12	CSA4347001	1	松线电磁铁组件	TENSION RELEASE SOLENOID,ASSY	
13	C017400802	2	螺栓 M4X8	BOLT, M4X8	
14	C028040246	2	弹簧垫圈 2-4	WASHER, SPRING 2-4	
15	C025040236	2	平垫圈 M4	WASHER, PLAIN M4	
16	C149547000	2	压线板	CORD HOLDER, 4N	
17	C0A5401006	2	螺栓(带垫圈) M4X10DB	SCREW, PAN (S/P WASHER) M4X10	
18	CSA4348001	1	切线电磁铁组件	THREAD TRIMMER SOLENOID,ASSY	
19	C017400802	2	螺栓 M4X8	BOLT, M4X8	
20	C028040246	2	弹簧垫圈 2-4	WASHER, SPRING 2-4	
21	C025040236	2	平垫圈 M4	WASHER, PLAIN M4	
22	C146202000	1	尼龙线夹 6N	CORD HOLDER, 6N	
23	C0A5401006	2	螺栓(带垫圈) M4X10DB	SCREW, PAN (S/P WASHER) M4X10	
24	CSA3481001	1	机头开关组件	SWITCH ASSY,MACHINE HEAD	
25	C0A5301605	2	螺栓(带垫圈) M3X16DB	SCREW,PAN(S/P WASHE) M3X16	
26	CSA3523101	1	机头检出器复合件	HEAD DETECTOR UNIT,ASSY	
27	C0A5401006	2	螺栓(带垫圈) M4X10DB	SCREW, PAN (S/P WASHER) M4X10	
28	CSA3486001	1	地线 350	GROUND WIRE,350	
29	C0A5401006	2	螺栓(带垫圈) M4X10DB	SCREW, PAN (S/P WASHER) M4X10	
30	CS11817000	1	挂钩	CLAMP, NK-18N	
31	C554482000	1	电线夹 #12	CORD HOLDER, #12	
32	C0A5401006	2	螺栓(带垫圈) M4X10DB	SCREW, PAN (S/P WASHER) M4X10	

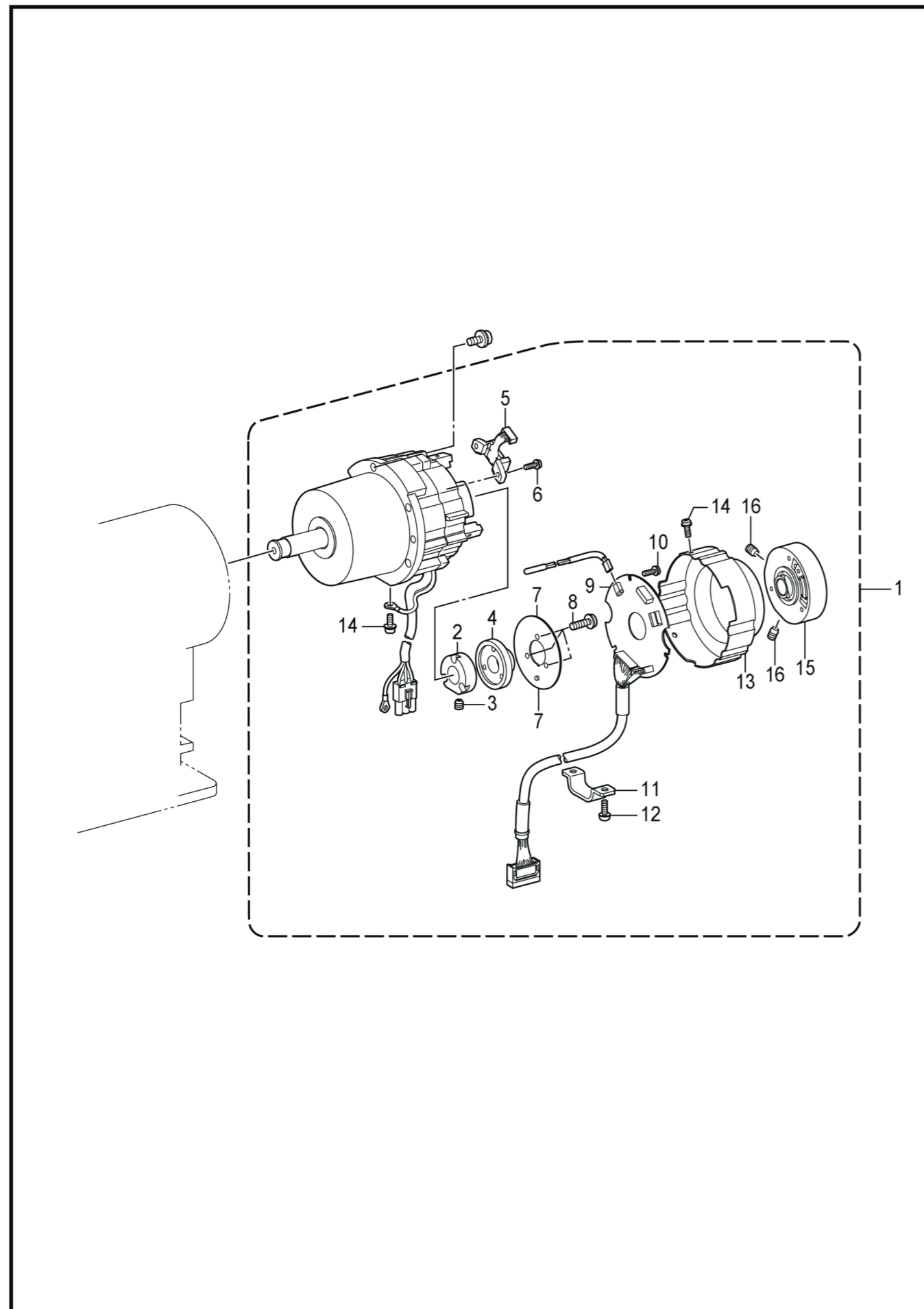
S. 操作盘装置 / Operation panel mechanism



S. 操作盘装置 / Operation panel mechanism

参照号	零部件序号	数量	零部件名称	NAME OF PARTS	RM
1	CSA3829001	1	操作盘组件	OPERATION PANEL ASSY	
3	CSA3831001	1	操作盘面板	PANEL SHEET	
7	CSA3833101	1	操作盘基板组件	PANEL PCB ASSY	
8	CSA3839001	1	电线	PANEL HARNESS	
9	C0B0452006	4	圆头木螺钉 M4.5X20	WOOD SCREW ROUND M4.5X20	

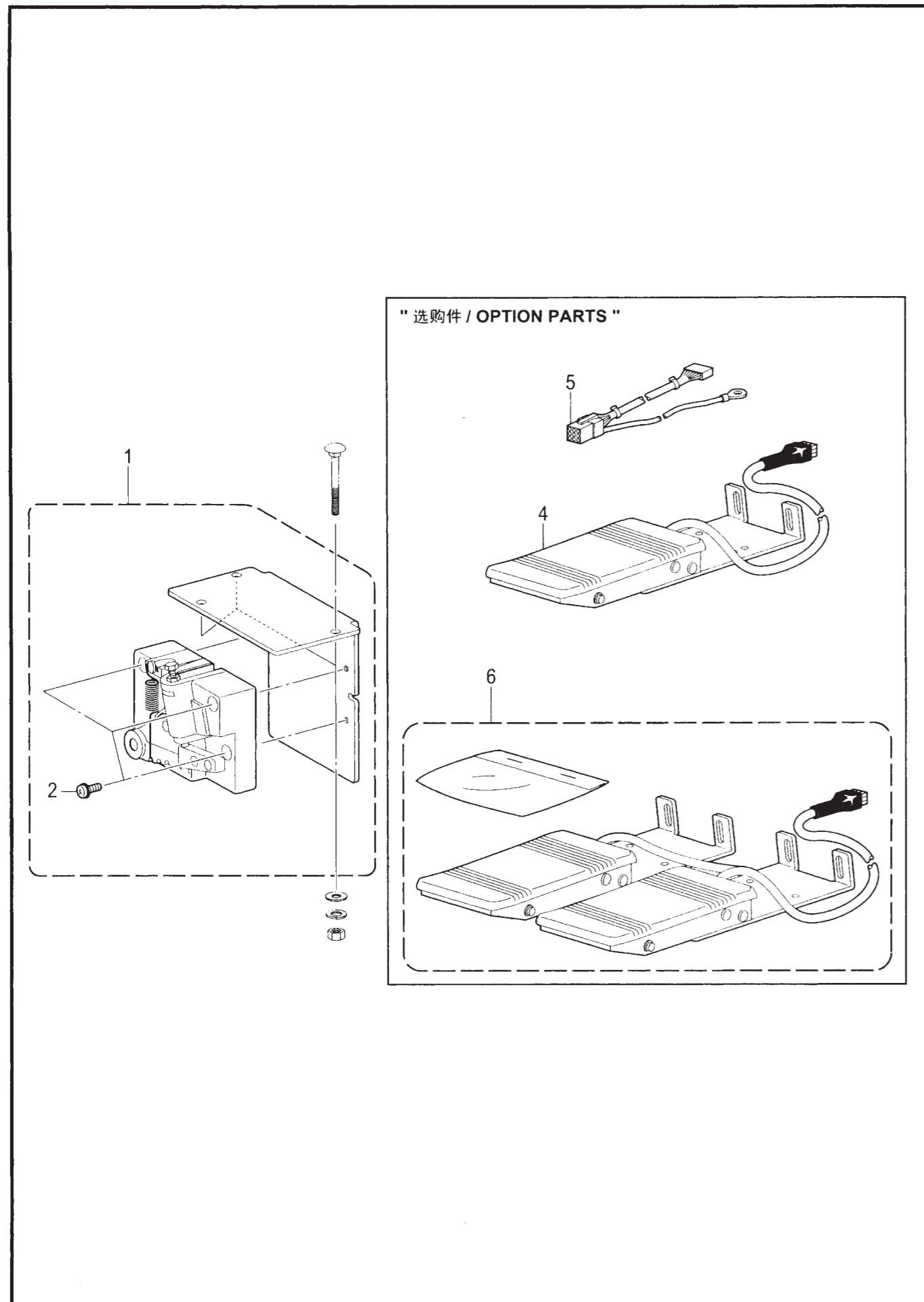
T. 马达装置 / Motor mechanism



T. 马达装置 / Motor mechanism

参照号	零部件序号	数量	零部件名称	NAME OF PARTS	RM
1	CJ80991001	1	马达组件 CDD-430D	MOTOR ASSY, CDD-430D	
2	CJ03955001	1	磁鼓 CDD	DRUM CDD	
3	C014400632	1	螺钉 M4X6	SET SCREW, SOCKET (CP) M4X6	
4	CJ03956001	1	磁铁 180P36	MAGNET 180P36	
5	CJ03957001	1	MR感应器组件 180P	MR SENSOR ASSY 180P	
6	C0A4300805	1	螺栓(带垫圈) M3X8DA	SCREW, PAN (S/P WASHER) M3X8	
7	CJ03958001	1	屏蔽板 CDD	SHIELD PLATE CDD	
8	C0A4261005	3	螺栓(带垫圈) M2.6X10DA	SCREW, PAN (S/P WASHE) M2.6X10	
9	CJ04488001	1	ENC 基板组件 430D#2	ENC PCB ASSY, 430D#2	
10	C0A5300606	3	螺栓(带垫圈) M3X6DB	SCREW, PAN (S/P WASHER) M3X6	
11	CJ04230001	1	电线固定夹 CDD-HT	CORD HOLDER, CDD-HT	
12	C0A4401005	3	螺栓(带垫圈) M4X10DA	SCREW, PAN (S/P WASHE) M4X10	
13	CJ04388001	1	编码器盖 430D	ENCODER COVER, 430D	
14	C0A4300805	3	螺栓(带垫圈) M3X8DA	SCREW, PAN (S/P WASHER) M3X8	
15	CJ04303001	1	同步轮组件 430D	PULLEY HOLDER ASSY, 430D	
16	C014500632	2	螺钉 M5X6	SET SCREW, SOCKET (CP) M5X6	

U. 踏板关系 / Foot switch pedal mechanism

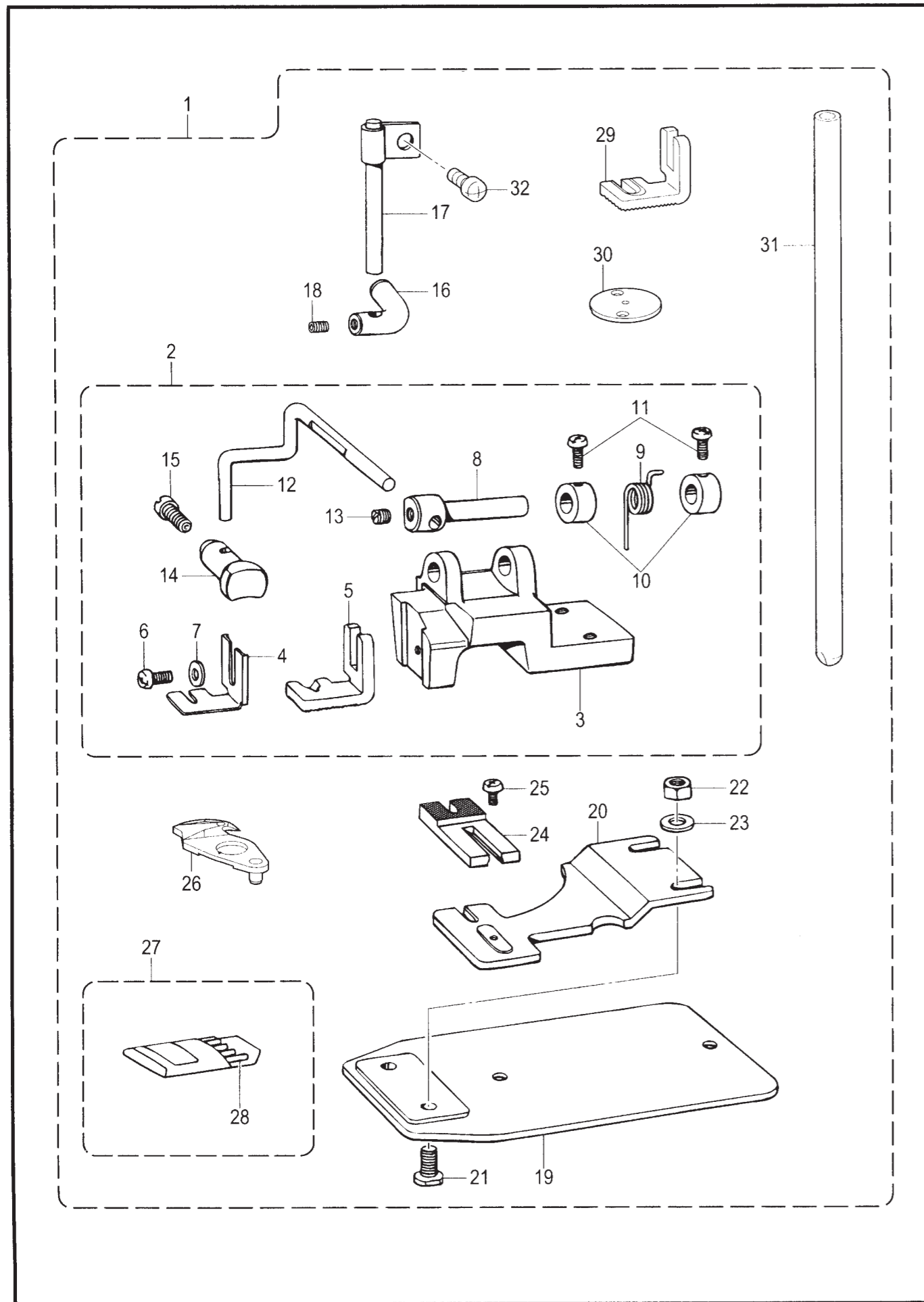


U. 踏板关系 / Foot switch pedal mechanism

参照号	零部件序号	数量	零部件名称	NAME OF PARTS	RM
1	CSA3519101	1	踏板复合件 A	TREADLE UNIT, A ASSY	
2	C0A4501005	3	螺栓(带垫圈) M5X10DA	SCREW, PAN (S/P WASHE) M5X10	
			<b>"选购件"</b>	<b>"OPTION PARTS"</b>	
5	CSA3784001	1	脚开关变换配线	CONVERSION HARNESS, FOOT SW	
4	CS49668101	1	2挡脚开关组件	2-STEP FOOT SWITCH ASSY	
6	CS51846101	1	2连3脚开关复合件	2-PEDAL FOOT SWITCH SET, 3	



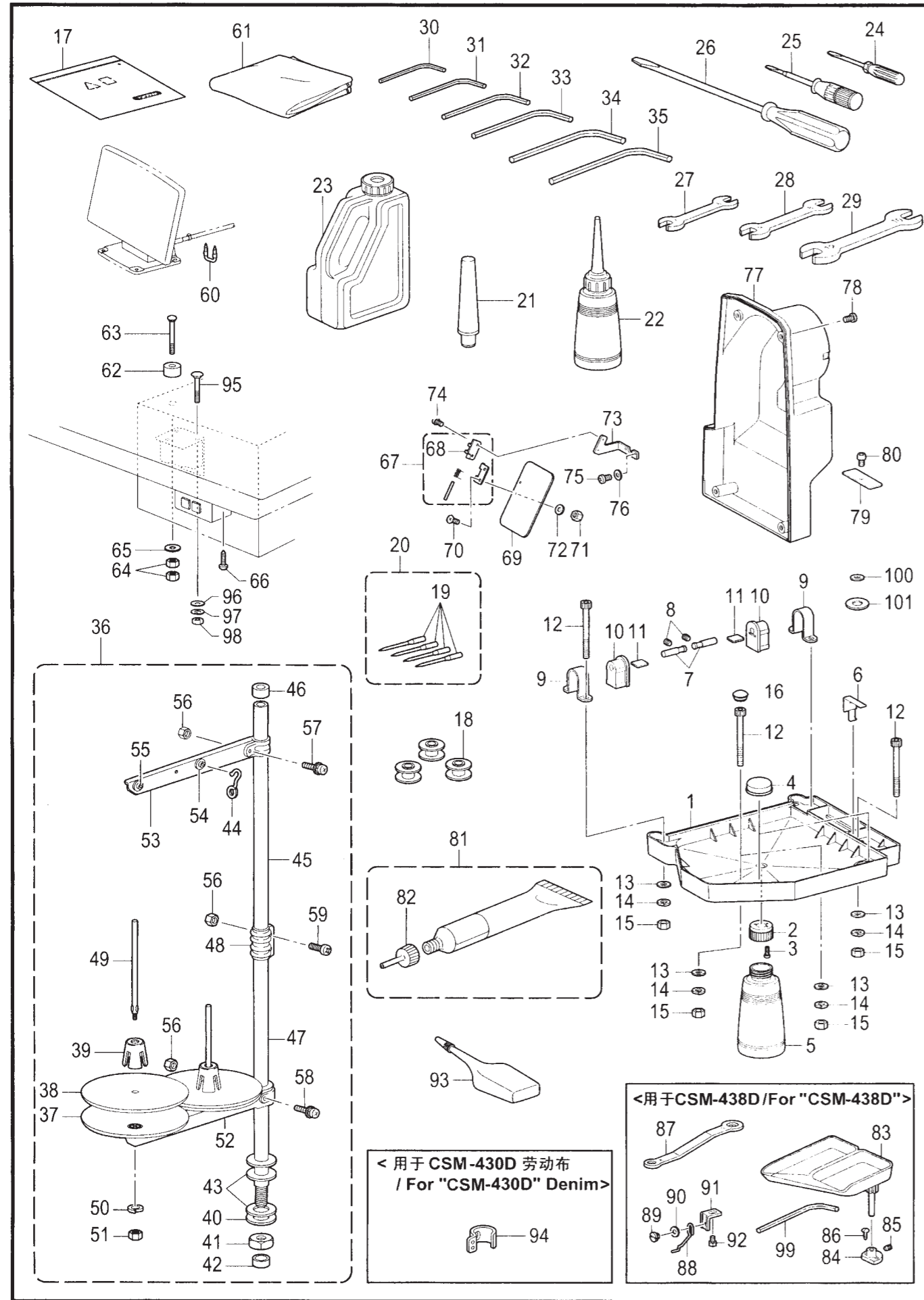
V1. 辅助装置(用于 CSM-438D 的选购零部件) / Auxiliary device (Option parts for CSM-438D)



V1. 辅助装置(用于 CSM-438D 的选购零部件) / Auxiliary device (Option parts for CSM-438D)

参照号	零部件序号	数量	零部件名称	NAME OF PARTS	RM
1	CSA6492001	1	带柄钮扣装置组件 438D	SHANK DEVICE SET 438D	
2	C142689309	1	有柄钮扣夹体组件	SHANK BUTTON CLAMP BRAC. ASSY	
3	C154684009	1	有柄钮扣夹体	SHANK BUTTON CLAMP BRACKET	
4	C142677101	1	钮夹 A	BUTTON CLAMP, A	
5	C142678101	1	钮夹 B	BUTTON CLAMP, B	
6	C062670812	1	螺钉 SM3.57-40X8	SCREW PAN SM3.57-40X8	
7	C102707002	1	垫圈 4	WASHER	
8	C142681001	1	扣夹轴	BUTTON CLAMP STUD	
9	C154685001	1	弹簧	SPRING	
10	C142706001	2	紧圈	SET SCREW COLLAR	
11	C062670712	2	螺钉 SM3.57-40X7	SCREW PAN SM3.57-40X7	
12	C154686001	1	扣夹臂	BUTTON CLAMP ARM	
13	C013719412	1	固定螺钉 SM4.76	SET SCREW, (CP) SM4.76	
14	C142680001	1	扣夹	BUTTON CLAMP	
15	C120990001	1	螺钉 SM4.37-40X8	SET SCREW, (CP) SM4.37-40X8	
16	C154695001	1	扣夹松开	CLAMP OPENER	
17	C154696001	1	扣夹松开轴	STUD	
18	C014680432	1	螺钉 SM4.37-40X4	SET SCREW SOCKET SM4.37-40X4	
19	C154697001	1	送布板台	FEED PLATE BASE	
20	C156336101	1	送扣板	SHANK BUTTON FEED PLATE	
21	C154713001	2	螺钉 SM4.76	SCREW, SM4.76	
22	C021710212	2	螺母 SM4.76-32	NUT 2 SM4.76-32	
23	C025710232	2	平垫圈 SM4.76	WASHER PLAIN M SM4.76	
24	C142686101	1	放料台 S	CLOTH RECEIVER, S	
25	C060670512	1	螺钉 SM3.57-40X5	SCREW BIND SM3.57-40X5	
26	CSA6493001	1	动刀组件 F-SCL	MOVABLE KNIFE F-SCL ASSY	
27	CSA6505014	1	机针(10支装) SA6506	NEEDLE 10PIECE ASSY SA6506	
28	CSA6506014	10	机针 TQX3	NEEDLE TQX3	
29	CS03641101	1	钮夹 D	BOTTOM CLAMP, D	
30	CSA3645201	1	针孔板 2.2SC	NEEDLE HOLE PLATE 2.2SC	
31	CSA6504001	1	针杆 B	NEEDLE BAR B	
32	C062500616	1	螺钉 M5X6	SCREW PAN M5X6	

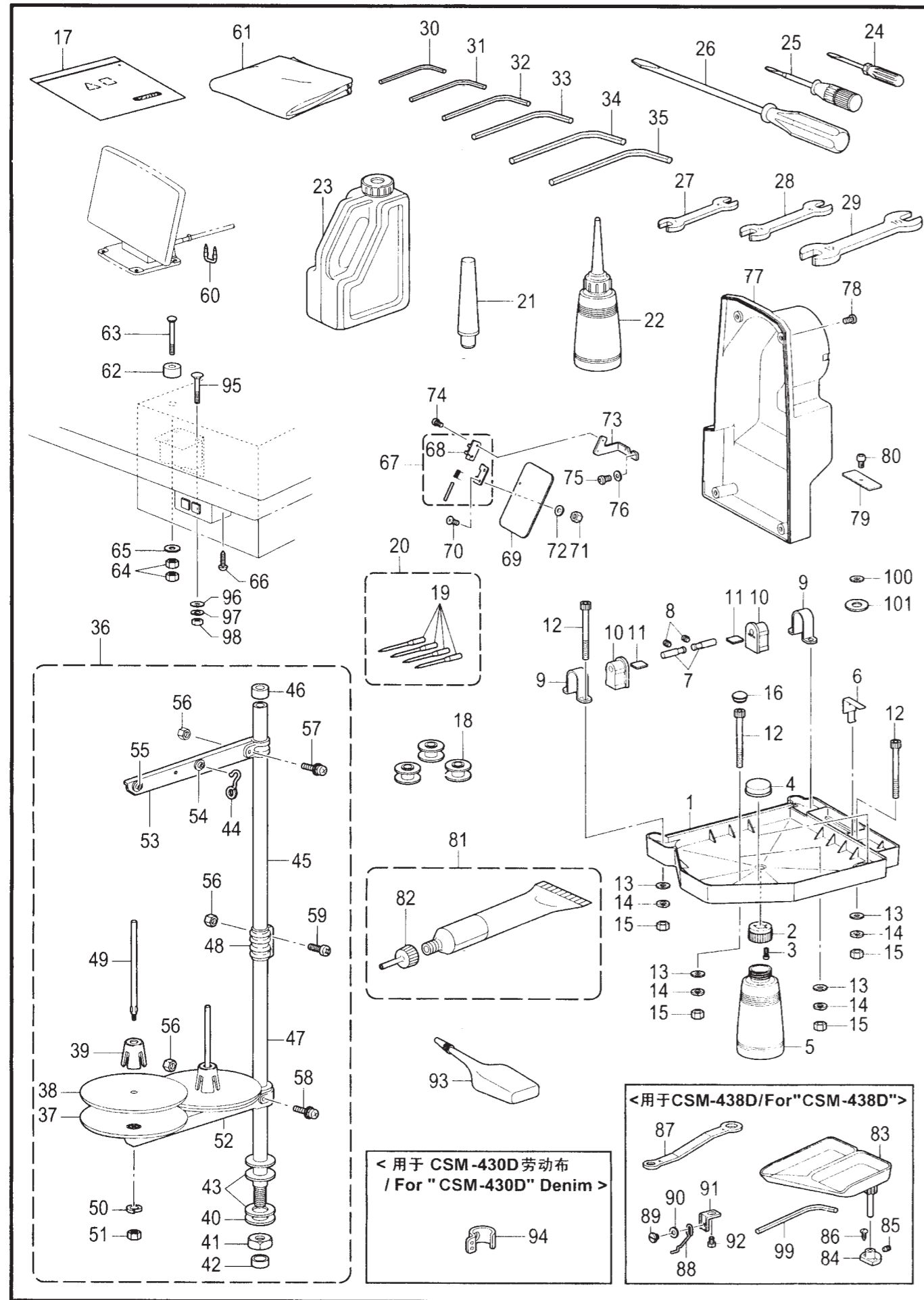
Z. 附件 / Accessories



Z. 附件 / Accessories

参照号	零部件序号	数量	零部件名称	NAME OF PARTS	RM
1	CSA3383001	1	油盘	OIL PAN	
2	C154467001	1	废油回收壶盖	DUST OILER	
3	C037301215	2	螺销 M3X12	TAPPING SCREW, PAN V M3X12	
4	CSA3540001	2	缓冲橡皮垫	RUBBER CUSHION	
5	C114486002	1	油壶	OILER	
6	CSA3820001	1	弹簧	SPRING;HEAD	
7	CSA3384001	2	机头支承销	PIN	
8	C012060636	2	螺钉 M6X6	SET SCREW, SOCKET (FT) M6X6	
9	CSA3385001	2	头部铰链座	HINGE HOLDER	
10	CSA3395001	2	橡皮铰链	RUBBER CUSHION	
11	CSA3392001	2	垫片	SPACER	
12	CSA3387001	7	螺栓 M6X75	BOLT, SOCKET M6X75	
13	C025060336	7	平垫圈 L6	WASHER, PLAIN L 6	
14	C028060246	7	弹簧垫圈 2-6	WASHER, SPRING 2-6	
15	C021060106	7	螺母 M6	NUT, 1 M6	
16	CS32264001	2	橡皮塞 11.5	RUBBER CAP, 11.5	
17	C122991001	1	附属品塑料袋	ACCESSORY BAG	
18	C* P. 53	3	梭芯	BOBBIN	
19	C* P. 54	4	机针	NEEDLE	
20	C* P. 54	1	机针组 (4支装)	NEEDLE 4PIECE ASSY	
21	CSA3380001	1	机头撑杆	HEAD REST	
22	C114483002	1	油壶组件	OILER ASSY	
23	CS55663001	1	油罐组件	OIL TANK ASSY	
24	C142443001	1	小起子 1.9X52	SCREW-DRIVER, 1.9X52	
25	C118837001	1	起子 3.4X70	SCREW-DRIVER, 3.4X70	
26	C101572101	1	起子 5.5X190	SCREW-DRIVER, 5.5X190	
27	C107779001	1	扳手 6X7	WRENCH, 6X7	
28	C100887001	1	双头扳手 8X9	WRENCH, 8X9	
29	C107780001	1	扳手 10X12	WRENCH, 10X12	
30	CS07783001	1	内六角扳手 1.5	HEXAGONAL WRENCH, 1.5	
31	C142002001	1	内六角扳手 2	HEXAGONAL WRENCH, 2	
32	C154125001	1	内六角扳手 2.5	HEXAGONAL WRENCH, 2.5	
33	C142721001	1	内六角扳手 3	HEXAGONAL WRENCH, 3	
34	C118064001	1	内六角扳手 4	HEXAGONAL WRENCH, 4	
35	C150335001	1	内六角扳手 5	HEXAGONAL WRENCH, 5	
36	CS02763502	1	线架组件 2DR	COTTON STAND ASSY, 2DR	
37	CS51283001	2	垫圈	SPOOL STAND BASE	
38	C150182000	2	线盘软垫	SPOOL MAT	
39	CS51282101	2	线轴缓冲架	SPOOL CUSHION	
40	C150206002	1	平垫圈 16	WASHER, PLAIN 16	
41	CS38648001	1	螺母 U5/8-28	NUT, U5/8-28	
42	C150174000	1	线架支撑管套	COLUMN CAP	
43	CS01005000	2	橡皮垫圈	RUBBER WASHER	
44	CS02747101	1	弹簧	SPRING	
45	C150172003	1	线架支撑管	COLUMN PIPE	
46	C150174000	1	线架支撑管套	COLUMN CAP	
47	C156112003	1	线架撑管 D	COLUMN PIPE, D	
48	C150173003	1	撑管夹	COLUMN JOINT	
49	C150179002	2	线轴 B	SPOOL SHAFT, B	
50	C028050246	2	弹簧垫圈 2-5	WASHER, SPRING 2-5	
51	C021500106	2	六角螺母 M5	NUT, 1 M5	
52	CS02778002	1	插线架 2	SPOOL HOLDER, 2	
53	CS02787002	1	过线架 2	THREAD HANGER, 2	
54	C150183000	2	过线管套	THREAD HANGER BASE	
55	C142990001	2	过线架上过线管	THREAD BUSH	
56	C021500106	4	六角螺母 M5	NUT, 1 M5	
57	CS37038001	1	螺钉 M5X14	SCREW, PAN (S/P WASHER) M5X14	
58	CS37037001	1	螺钉 M5X32	SCREW, PAN (S/P WASHER) M5X32	
59	C062501406	2	螺钉 M5X14	SCREW, PAN M5X14	
60	C200190001	7	U形卡钉 10X20	STAPLE, 10X20	

Z. 附件 / Accessories













Z. 附件 / Accessories

参照号	零部件序号	数量	零部件名称	NAME OF PARTS	RM
61	C144226001	1	机头罩	HEAD COVER	
62	CS33006001	4	马达垫片	MOTOR SPACER	
63	C133740006	4	螺栓 M6X70	BOLT, SQUARE M6X70	
64	C021060106	8	螺母 M6	NUT, 1 M6	
65	C025060336	4	平垫圈 L6	WASHER, PLAIN L 6	
66	C032461606	2	木螺钉 M4.5X16	WOOD SCREW, ROUND 2 M4.5X16	
67	CS44483001	1	铰链组件	HINGE ASSY	
68	CS44484001	1	护眼板铰链	EYE GUARD HINGE	
69	CS44485001	1	护眼板	EYE GUARD	
70	C061300816	2	螺钉 M3X8	SCREW, FLAT M3X8	
71	C021300106	2	螺母 M3	NUT, 1 M3	
72	C026030236	2	垫圈 M3	WASHER, PLAIN M 3	
73	CSA4104001	1	护眼板架 A	EYE GUARD HOLDER, A	
74	C062300506	2	螺钉 M3X5	SCREW, PAN M3X5	
75	C062400616	2	螺钉 M4X6	SCREW, PAN M4X6	
76	C026040136	2	平垫圈 S4	WASHER, PLAIN S 4	
77	CSA3388001	1	后盖	BACK COVER	
78	C062061016	4	螺钉 M6X10	SCREW, PAN M6X10	
79	CSA3489001	1	送料板盖	FEED PLATE COVER	
80	C153057101	1	螺钉 SM4.37	SCREW, ROUND W/SOCKET SM4.37	
100	C148847001	1	垫圈	WASHER, PLAIN	
81	CSA2693001	1	润滑脂组件	GREASE UNIT	
82	CSA2695001	1	润滑脂注入口	GREASE NOZZLE	
93	CS06706001	1	硅油	SILICONE OIL	
83	CS18642009	1	钮扣盘	BUTTON TRAY	
84	C153843009	1	钮扣盘底座	BUTTON TRAY HOLDER	
85	C014760632	1	螺钉 SM5.95-28X6	SET SCREW, SOCKET SM5.95-28X6	
86	C0B1351606	2	木螺钉 M3.5X16	WOOD SCREW, FLAT M3.5X16	
87	C105343001	1	扳手 8X9	DOUBLE WRENCH, 8X9	
88	C159939001	1	弹簧 A	SPRING, A	
89	C110215002	1	螺钉 SM3.57	SCREW SM3.57	
90	C025660132	1	平垫圈 S3.18	WASER PLAIN S 3.18	
91	C159938001	1	弹簧支架	SPRING SUPPORT	
92	C146360002	1	螺栓 SM4.76X7	BOLT, SM4.76X7	
99	C154179001	1	内六角扳手 4	HEXAGONAL WRENCH, 4(Short type)	
94	CSA3635101	1	针杆线导向 B	NEEDLE BAR THREAD GUIDE,B	
95	C119755001	3	螺栓 M6X60	BOLT, M6X60	
96	C025060236	3	平垫圈 M6	WASHER,PLAIN M 6	
97	C028060246	3	弹簧垫圈 2-6	WASHER,SPRING 2-6	
98	C021060106	3	螺母 M6	NUT,1 M6	
101	CSA6397001	1	垫片 0.2	M-KNIFE SPACER T0.2	
101	CSA3334001	1	垫片 0.3	M-KNIFE SPACER T0.3	
101	CSA6398001	1	垫片 0.4	M-KNIFE SPACER T0.4	


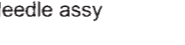

附件表可能有所变动。  
The details of included accessories are subject to change.



Sp. 不同规格零部件一览表 (CSM-430D/CSM-438D) / Different parts list (CSM-430D/CSM-438D)

名称 Part name	CSM-430D				CSM-438D
	规格 Spec.	-2	-1	-7	
(K-61) 针孔板 Needle hole plate 		(φ2.4) CSA3336-101	(φ2.2) CSA3653-201	(φ1.6) CSA3652-201	(φ1.6) 入口处倒角 (φ2.6) CSA3646-201 CSA6133-001
(F-41) 梭芯套组件 Bobbin case assy 		C152690-501 < B >	C159610-401 < A >	C159610-401 < A >	C159610-401 < A >
		CS59221-201 < LC >			
(F-42) 夹线簧 Tension spring 		C154340-101	C154339-101 < A >	C154339-101 < A >	C154339-101 < A >
		CS48664-001 ☆			
(F-43) 螺钉 Screw 		C154341-001		C154341-001	C154341-001
		CS16492-101 < LA > ☆			
(F-44) 防空转弹簧 Anti-spin spring 		CSA4315-001 < B >	CSA4315-001 < A >	CSA4315-001 < A >	CSA4315-001 < A >
		CS15667-001 < LA > ☆			
(F-45) 梭芯 Bobbin 		C159613-051		C159613-051	C159613-051
		CS15665-001 < LA > ☆			
(F) 中旋梭组件 Shuttle hook assy, w/box 		CSA1882-001 < B >	CSA1881-001 < A >	CSA1881-001 < A >	CSA1881-001 < A >
		CSA1890-201 < LG > ☆	CSA2173-201 < LF > ☆		
(F-40) 外旋梭 Shuttle race base 		C152686-201 < B >		C152682-201 < A >	C152682-201 < A >
(H-14) 挑线弹簧 Spring, tension 		C107606-101		C104525-101	C104525-101
(H-9) 调节弹簧 Thread take-up spring 		C144588-201 < B >		C145519-201	C145519-201



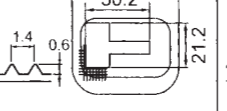
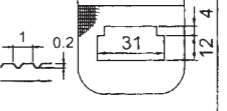
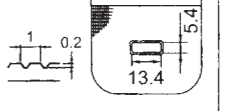
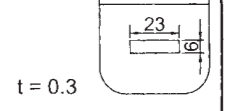
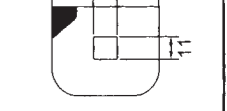
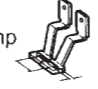

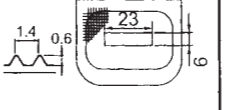
Sp. 不同规格零部件一览表 (CSM-430D / CSM-438D) / Different parts list (CSM-430D / CSM-438D)

名称 Part name	CSM-430D				CSM-438D
	规格 Spec.	-2	-1	-7	
(H-25, H-24) 针杆线导向 Needle bar thread guide 		CSA3257-101		CSA3635-101	CSA3635-101
(Z-20) 机针组件 (4支装) Needle assy 		CSA1579-019		CSA1752-014	CSA1737-011 CSA1579-012
(B-34, Z19) 机针 Needle 		DP×17 NY < #19 > CS37928-019	DP×5 < #14 > C107415-014	DP×5 < #9 > C107415-009	DP×5KN < #11 > C154763-011 DP×17NY < #12 > CS37928-012

◎标准的压脚和送布板的尺寸表示如下。(实际的缝纫范围是在内框向内1.5mm内侧处)

◎Standard sizes for work clamps and feed plates are as follows:

(The actual sewing area has 1.5mm margin on every size; inside the lines which the dimensions indicate.)

规格 / Spec.	CSM-430D				CSM-438D
	-2	-1	-7	-0F	
(C-68, 69) 压脚 Work clamp 	R C153608-101 L C154527-001	C152777-001 C152778-001	CS49695-001 CS49694-001	CSA6509-001 CSA6510-001	
(C-28) 送布板 Feed plate 	CSA3378-001 (用于 3mm) ( For 3mm use)	CSA3607-001 (用于 2mm) ( 下沉式 L Submerged-type, L)	CSA3609-001 (用于 2mm) ( For 2mm use)	CSA6511-001	CSA3606-001
					
				t = 0.3	
(C-68, 69) 压脚 Work clamp 	-2 R C152781-001 L C152782-001				
(C-28) 送布板 Feed plate 	CSA3611-001 (用于 3mm) ( For 3mm use)				
					



Ga . 工模具一览表 (CSM-430D) / Gauge parts list (CSM-430D)

	1	2	3	4
R	C152781-001 (劳动布 / For denim)	C153201-001 < PL >	C153203-001 < PS >	CS00906-001 (1 inch)
L	C152782-001 (劳动布 / For denim)	C153202-001 < PL >	C153204-001 < PS >	CS00907-001 (1 inch)
(C-68, 69) 压脚 Work clamp				
	CSA3611-001 (劳动布 / For denim)	CSA3612-001 < PL >	CSA3613-001 < PS >	CSA3614-001 (1 inch)
(C-28) 送布板 Feed plate				
	5	6	7	8
R	CS33747-001 (30mm)	C153201-001 (劳动布 / For denim)	C152777-001 < PM >	C152779-001 (针织品 / For knitted materials)
L	CS33748-001 (30mm)	C153202-001 (劳动布 / For denim)	C152778-001 < PM >	C152780-001 (针织品 / For knitted materials)
(C-68, 69) 压脚 Work clamp				
	CSA3615-001 (30mm)	CSA3616-001 (劳动布 / For denim)	CSA3612-001 (PL)	CSA3608-001 (针织品 / For knitted materials)
(C-28) 送布板 Feed plate				
	9	10	11	12
R	CS46771-001 (横打结 / For straight bar tacking)	CS46771-001 (横线结·下沉 / For straight bar tacking/submerged)	CS46774-001 (垂直打结 / For vertical bar tacking)	CS46774-001 (垂直线结·下沉 / For vertical bar tacking/submerged)
L	CS46770-001 (横打结 / For straight bar tacking)	CS46770-001 (横线结·下沉 / For straight bar tacking/submerged)	CS46773-001 (垂直打结 / For vertical bar tacking)	CS46773-001 (垂直线结·下沉 / For vertical bar tacking/submerged)
(C-68, 69) 压脚 Work clamp				
	CSA3617-001 (横打结 / For straight bar tacking)	CSA3618-001 (横线结·下沉 / For straight bar tacking/submerged)	CSA3619-001 (垂直打结 / For vertical bar tacking)	CSA3621-001 (垂直线结·下沉 / For vertical bar tacking/submerged)
(C-28) 送布板 Feed plate				
(C) 压脚 Work clamp 螺栓 Bolt	C156006-001	CS59892-001	C156006-001	CS59892-001

Ga . 工模具一览表 (CSM-430D) / Gauge parts list (CSM-430D)

	13	14	15	16
R	CSA2230-001 (垂直打结 / For vertical bar tacking)	CSA2233-001 (垂直打结 / For vertical bar tacking)	C152779-001 (下沉式 S / Submerged -type,S)	C152779-001
L	CSA2229-001 (垂直打结 / For vertical bar tacking)	CSA2232-001 (垂直打结 / For vertical bar tacking)	C152780-001 (下沉式 S / Submerged -type,S)	C152780-001
(C-68, 69) 压脚 Work clamp				
	CSA3620-001 (垂直打结 / For vertical bar tacking)	CSA3622-001 (垂直打结 / For vertical bar tacking)	CSA3610-001 (下沉式 S / Submerged -type,S)	CSA6346-001
(C-28) 送布板 Feed plate				
(C) 压脚 Work clamp 螺栓 Bolt	CS59909-001	C017680-512	CS59909-001	C017680-512
	17	18	19	
R	CS46777-001 (菊孔形 / For circular stitching)	CS46780-001 (半月形 / For crescent bar tacking)	CSA2236-001 (半月形 / For crescent bar tacking)	
L	CS46776-001 (菊孔形 / For circular stitching)	CS46779-001 (半月形 / For crescent bar tacking)	CSA2235-001 (半月形 / For crescent bar tacking)	
(C-68, 69) 压脚 Work clamp				
	CSA3623-001 (菊孔形 / For circular stitching)	CSA3624-001 (半月形 / For crescent bar tacking)	CSA3625-001 (半月形 / For crescent bar tacking)	
(C-28) 送布板 Feed plate				
(C) 压脚 Work clamp 螺栓 Bolt	C156006-001	CS59892-001	C156006-001	CS59892-001

Ga. 工模具一览表 (CSM-430D, CSM-438D) / Gauge parts list (CSM-430D, CSM-438D)

(C) 送布板 半成品 Feed plate blank	CSA3626-001 有滚花 / With lozenge	CSA3627-001 有滚花 / With lozenge

(K-61) 其他针孔板 / For other needle hole plate

CSM-430D			CSM-438D
CSA3645-201	CSA3646-201	CSA5221-001	CSA3654-201

特别订货 / For specially orderd

-1					
R	CSA4195-001	CS59909-001	C017680-512	CSA3817-001 无滚花 / Without lozenge	
L	CSA4196-001			(C) 送料板 半成品 Feed plate blank	
(C) 压脚半成品 Work clamp blank		(C) 压脚 Work clamp			
		螺栓 Bolt			

(E) 选购件 / OPTION PARTS

钮夹垫 / Button clamp spacer

AL	CS52071-001(E-39)	BL	CS52072-001(E-41)	CL	CS52073-001(E-43)	DL	CS52074-001(E-45)
AR	CS52075-001(E-40)	BR	CS52076-001(E-42)	CR	CS52077-001(E-44)	DR	CS52078-001(E-46)

索引 / INDEX

CODE	REF.NO	Page	CODE	REF.NO	Page	CODE	REF.NO	Page	CODE	REF.NO	Page
C004300513	A -12	2	C018061236	C -36	6	C028050246	K -74	22	C062680512	E -25	12
C011679312	E -16	12		D -35	10		Z -50	50	C062680812	E -29	12
C012060536	C -45	6		N -2	30	C028060246	Z -14	50	C070608800	C -17	6
	D -32	10		N -16	30		Z -97	52	C070688850	D -33	10
	D -38	10	C018061636	C -70	8	C032461606	Z -66	52	C070696800	D -18	10
	F -6	14		D -44	10	C037301215	Z -3	50	C071031840	C -73	8
C012060636	B -26	4	C018063036	C -6	6	C047250642	E -22	12	C081003670	F -18	14
	C -8	6	C018063536	C -34	6	C047301042	D -27	10	C081005070	L -15	26
	C -13	6	C018300636	N -24	30	C047602042	D -4	10	C081007070	M -12	28
	C -15	6	C018400836	C -72	8	C048040342	K -18	22	C0A4261005	T -8	42
	C -19	6		R -4	38		L -14	26	C0A4300805	N -19	30
	C -27	6	C018401036	C -21	6		L -23	26		T -6	42
	D -13	10		R -2	38	C048050342	M -7	28		T -16	42
	D -22	10		R -6	38		J -10	20	C0A4401005	T -14	42
	D -28	10	C018401636	B -29	4		J -19	20	C0A4501005	U -2	44
	D -48	10	C018500836	C -48	6	C048060342	C -12	6	C0A5300606	T -12	42
	F -9	14		C -56	6	C048060346	C -43	6	C0A5301605	R -25	38
	F -16	14	C018501232	F -39	14		D -30	10	C0A5401006	R -17	38
	F -35	14		K -40	22	C048070342	F -37	14		R -23	38
	H -28	18	C018501636	B -3	4		N -9	30		R -27	38
	K -37	22		B -40	4	C048080142	C -18	6		R -29	38
	K -49	22	C021060106	K -26	22		K -36	22		R -32	38
	L -2	26		K -30	22	C048080342	D -11	10	C0B0452006	S -9	40
	N -10	30		K -43	22		D -24	10	C0B1351606	Z -86	52
	Z -8	50		Z -15	50		L -9	26	C100136001	H -20	18
C012300336	B -21	4		Z -64	52	C060400516	K -6	22	C100360003	K -62	24
	B -24	4		Z -98	52	C060670512	V1 -25	46	C100401021	J -31	20
C012400436	F -12	14	C021060306	K -28	22	C061300816	Z -70	52	C100402004	H -17	18
	J -17	20		K -45	22	C062060816	G -9	16	C100887001	Z -28	50
	J -23	20	C021300106	Z -71	52		G -28	16	C101572101	Z -26	50
	K -11	22	C021400216	D -42	10	C062061016	A -6	2	C102630001	D -8	10
	K -17	22	C021400306	M -4	28		D -50	10	C102707002	M -5	28
	N -5	30	C021500106	Z -51	50		G -3	16		V1 -7	46
	N -22	30		Z -56	50		J -35	20	C104449001	A -8	2
C012500536	B -23	4	C021710212	V1 -22	46		Z -78	52	C104525101	Sp	53
	B -37	4	C025030236	A -18	2	C062300416	A -17	2	C104821001	A -3	2
	C -4	6		K -60	24		B -5	4	C105234003	E -8	12
	C -46	6		K -70	24		K -58	24	C105343001	Z -87	52
	C -65	8		N -25	30		K -69	24	C107415009	Sp	54
	D -12	10	C025040236	D -41	10	C062300506	Z -74	52	C107415014	Sp	54
	D -20	10		L -22	26	C062300616	F -25	14	C107606101	Sp	53
	D -25	10		R -15	38	C062300816	R -8	38	C107741001	D -40	10
	F -11	14		R -21	38		R -11	38		E -6	12
	F -47	14	C025050134	L -13	26	C062350616	J -8	20	C107779001	Z -27	50
	J -3	20	C025050236	C -50	6	C062400616	G -7	16	C107780001	Z -29	50
	J -34	20		M -8	28		G -11	16	C109239002	A -15	2
	L -6	26	C025060236	C -32	6		Z -75	52	C110215002	Z -89	52
	L -10	26		C -37	6	C062400806	B -39	4	C110367001	B -20	4
	L -17	26		C -71	8	C062400816	B -41	4		C -42	6
C013719412	V1 -13	46		D -45	10		K -4	22	C114483002	Z -22	50
C014400632	T -3	42		Z -96	52	C062401006	A -20	2	C114486002	Z -5	50
C014500632	T -18	42	C025060336	Z -13	50		L -21	26	C115147001	E -14	12
C014680432	V1 -18	46		Z -65	52	C062401216	J -13	20	C115148201	E -13	12
C014680632	E -3	12	C025660132	Z -90	52	C062500616	H -2	18	C115156001	E -21	12
C014760632	E -9	12	C025710232	V1 -23	46		H -4	18	C115158001	E -26	12
	Z -85	52	C026030136	F -24	14		H -6	18	C115164101	E -33	12
C017400802	R -13	38	C026030236	Z -72	52		J -29	20	C115165001	E -34	12
	R -19	38	C026040136	Z -76	52		V1 -32	46	C115166001	E -35	12
C017401015	M -3	28	C028030246	K -59	24	C062501016	A -9	2		V2 -9	48
C017680512	Ga	56		R -9	38	C062501406	Z -59	50	C117608001	A -24	2
	Ga	57	C028040246	R -14	38	C062670412	H -31	18	C117934001	A -2	2
C017711412	E -10	12		R -20	38	C062670712	V1 -11	46	C118064001	Z -34	50
C018061236	C -31	6	C028050246	C -49	6	C062670812	V1 -6	46	C118837001	Z -25	50



## 索引 / INDEX

CODE	REF.NO	Page	CODE	REF.NO	Page	CODE	REF.NO	Page	CODE	REF.NO	Page
C119755001	Z -95	52	C152782001	Ga	55	C616167001	P2 -12	34	CS25475001	K -29	22
C120448001	J -22	20	C152788000	C -60	8	CJ03955001	T -2	42	CS28044001	A -23	2
C120990001	V1 -15	46	C152881001	H -27	18	CJ03956001	T -4	42	CS28415000	G -15	16
C122991001	Z -17	50	C152883000	H -29	18	CJ03957001	T -5	42	CS31032001	H -12	18
C133740006	Z -63	52	C152884001	H -30	18	CJ03958001	T -7	42		J -32	20
C140392009	A -1	2	C152936001	J -6	20	CJ03983001	T -10	42	CS32264001	Z -16	50
	A -4	2	C152937001	J -7	20	CJ03984001	T -11	42	CS32462001	K -27	22
C142002001	Z -31	50	C153049001	H -7	18	CJ04115001	Wa	58		K -44	22
C142443001	Z -24	50	C153050000	F -26	14	CJ04230001	T -13	42	CS32465001	K -25	22
C142677101	V1 -4	46		G -30	16	CJ04303001	T -17	42		K -42	22
C142678101	V1 -5	46	C153057101	C -29	6	CJ04388001	T -15	42	CS33006001	Z -62	52
C142680001	V1 -14	46		Z -80	52	CJ04488001	T -9	42	CS33747001	Ga	55
C142681001	V1 -8	46	C153113001	C -11	6	CJ80991001	T -1	42	CS33748001	Ga	55
C142686101	V1 -24	46	C153201001	Ga	55	CS00705001	K -55	24	CS37037001	Z -58	50
C142689309	V1 -2	46	C153202001	Ga	55	CS00906001	Ga	55	CS37038001	Z -57	50
C142706001	V1 -10	46	C153203001	Ga	55	CS00907001	Ga	55	CS37059001	Wa	58
C142721001	Z -33	50	C153204001	Ga	55	CS01005000	Z -43	50	CS37060001	A -22	2
C142990001	Z -55	50	C153484001	E -7	12	CS01694001	E -38	12		Wa	58
C143671000	G -21	16	C153567000	C -61	8	CS02429201	F -20	14	CS37928012	Sp	54
C144226001	Z -61	52	C153568001	C -59	8	CS02652001	K -13	22	CS37928019	Sp	54
C144458001	B -31	4	C153596001	N -8	30	CS02745001	V2 -6	48	CS38033002	L -18	26
C144588201	Sp	53	C153608101	Sp	54	CS02747101	Z -44	50	CS38648001	Z -41	50
C145446001	H -16	18	C153827001	E -2	12	CS02763502	Z -36	50	CS38713100	B -38	4
	H -22	18	C153830000	E -1	12	CS02778002	Z -52	50	CS39690021	K -9	22
	J -30	20	C153838001	D -47	10	CS02787002	Z -53	50	CS42903001	C -75	8
C145465001	B -25	4	C153843009	Z -84	52	CS03468101	E -30	12	CS44483001	Z -67	52
C145519201	Sp	53	C153922001	G -17	16	CS03641101	V1 -29	46	CS44484001	Z -68	52
C146080000	G -24	16	C154125001	Z -32	50	CS03657001	E -31	12	CS44485001	Z -69	52
C146202000	R -22	38	C154179001	Z -99	52	CS03659001	E -28	12	CS44924001	F -28	14
C146352002	K -75	22	C154339101	Sp	53	CS06706001	Z -93	52	CS45849000	G -16	16
C146354001	E -11	12	C154340101	Sp	53	CS07333001	G -23	16	CS46770001	Ga	55
C146354002	C -55	6	C154341001	Sp	53	CS07783001	Z -30	50	CS46771001	Ga	55
C146360002	Z -92	52	C154467001	Z -2	50	CS09658001	V2 -4	48	CS46773001	Ga	55
C146994001	E -12	12	C154527001	Sp	54	CS09659001	V2 -7	48	CS46774001	Ga	55
C148847001	Z -100	52	C154596000	K -23	22	CS09660001	V2 -8	48	CS46776001	Ga	56
C149547000	R -16	38	C154599000	K -12	22	CS09686001	V2 -5	48	CS46777001	Ga	56
C150172003	Z -45	50		M -2	28	CS10202201	N -21	30	CS46779001	Ga	56
C150173003	Z -48	50	C154684009	V1 -3	46	CS10268001	J -26	20	CS46780001	Ga	56
C150174000	Z -42	50	C154685001	V1 -9	46	CS10438001	J -18	20	CS47307001	F -30	14
	Z -46	50	C154686001	V1 -12	46	CS11817000	R -30	38	CS48664001	Sp	53
C150179002	Z -49	50	C154695001	V1 -16	46	CS12441001	H -13	18	CS49484000	P1 -31	32
C150182000	Z -38	50	C154696001	V1 -17	46		J -33	20	CS49668101	U -4	44
C150183000	Z -54	50	C154697001	V1 -19	46	CS12699000	H -10	18	CS49694001	Sp	54
C150206002	Z -40	50	C154713001	V1 -21	46	CS13184001	V2 -11	48	CS49695001	Sp	54
C150335001	Z -35	50	C154763011	Sp	54	CS15665001	Sp	53	CS49955101	C -76	8
C151968001	E -4	12	C155559001	N -3	30	CS15667001	Sp	53	CS49992000	G -12	16
C151969001	E -5	12		N -17	30	CS16492101	Sp	53	CS49998001	E -15	12
C152682201	Sp	53		N -20	30	CS18642009	Z -83	52	CS50529000	G -14	16
C152684101	F -23	14	C156006001	Ga	55	CS20356001	D -10	10	CS51282101	Z -39	50
C152686201	Sp	53		Ga	56		D -23	10	CS51283001	Z -37	50
C152690501	Sp	53	C156112003	Z -47	50		L -8	26	CS51846101	U -6	44
C152744001	D -7	10	C156336101	V1 -20	46	CS23418002	J -15	20	CS52071001	E -39	12
C152777001	Sp	54	C159224001	H -23	18	CS23651001	B -9	4		Ga	57
	Ga	55	C159486001	J -9	20		B -12	4	CS52072001	E -36	12
C152778001	Sp	54		J -24	20		B -15	4		E -41	12
	Ga	55	C159610401	Sp	53		B -19	4		Ga	57
C152779001	Ga	55	C159613051	Sp	53		F -8	14	CS52073001	E -43	12
	Ga	56	C159805001	H -15	18		J -37	20		Ga	57
C152780001	Ga	55	C159938001	Z -91	52		K -2	22	CS52074001	E -45	12
	Ga	56	C159939001	Z -88	52		K -19	22		Ga	57
C152781001	Sp	54	C200190001	Z -60	50	CS25235001	B -16	4	CS52075001	E -40	12
	Ga	55	C231071001	K -20	22	CS25310101	K -72	24		Ga	57
C152782001	Sp	54	C554482000	R -31	38		V2 -10	48	CS52076001	E -37	12

## 索引 / INDEX

CODE	REF.NO	Page	CODE	REF.NO	Page	CODE	REF.NO	Page	CODE	REF.NO	Page
CS52076001	E -42	12	CSA3227001	F -2	14	CSA3312001	K -21	22	CSA3432001	D -3	10
	Ga	57	CSA3228101	F -3	14	CSA3313101	K -22	22	CSA3434001	D -6	10
CS52077001	E -44	12	CSA3231001	C -44	6	CSA3315001	K -24	22	CSA3435001	D -9	10
	Ga	57		D -31	10	CSA3317001	K -32	22	CSA3436001	D -14	10
CS52078001	E -46	12		F -5	14	CSA3319101	K -34	22	CSA3437001	D -15	10
	Ga	57	CSA3233001	F -7	14	CSA3320101	K -38	22	CSA3438001	D -16	10
CS52093001	E -18	12	CSA3234101	F -10	14	CSA3321001	K -39	22	CSA3439001	D -17	10
CS55663001	Z -23	50	CSA3237001	F -13	14	CSA3323001	K -41	22	CSA3441001	D -19	10
CS56877000	G -19	16	CSA3238101	F -17	14	CSA3324001	K -46	22		L -5	26
CS59221201	Sp	53	CSA3239101	F -19	14	CSA3325001	K -47	22		L -16	26
CS59315001	E -17	12	CSA3241001	F -22	14	CSA3326001	K -48	22	CSA3442001	D -21	10
CS59316001	E -19	12	CSA3242001	F -27	14	CSA3327101	K -50	22	CSA3443101	D -26	10
CS59317001	E -20	12	CSA3244001	G -1	16	CSA3333001	K -77	24	CSA3444001	D -29	10
CS59318001	E -23	12	CSA3245001	G -2	16	CSA3334001	K -56	24	CSA3445001	D -34	10
CS59319001	E -24	12	CSA3246001	G -25	16		Z -101	52	CSA3446001	D -36	10
CS59320001	E -27	12	CSA3249001	G -10	16	CSA3336101	Sp	53		L -11	26
CS59321001	E -32	12	CSA3250001	H -1	18	CSA3337001	K -63	24	CSA3447001	L -1	26
CS59886001	F -32	14	CSA3252001	H -5	18	CSA3341001	K -66	24	CSA3448001	L -3	26
	G -20	16	CSA3254001	H -8	18	CSA3342001	K -67	24	CSA3449001	L -4	26
CS59892001	Ga	55	CSA3255001	H -11	18	CSA3343001	K -68	24	CSA3451001	L -7	26
	Ga	56	CSA3256001	H -19	18	CSA3344001	K -71	24	CSA3452001	L -12	26
CS59909001	Ga	56	CSA3257101	H -25	18	CSA3345001	M -1	28	CSA3458001	L -19	26
	Ga	57		Sp	54	CSA3347001	M -6	28	CSA3459101	L -20	26
CSA1179002	C -58	8	CSA3258001	H -26	18	CSA3348001	M -9	28	CSA3464001	L -24	26
CSA1302001	G -18	16	CSA3260001	A -5	2	CSA3349001	M -10	28	CSA3465101	R -1	38
CSA1579012	Sp	54	CSA3262101	A -10	2	CSA3351001	N -1	30	CSA3469101	R -3	38
CSA1579019	Sp	54	CSA3263001	A -11	2	CSA3352101	N -4	30	CSA3472101	R -5	38
CSA1737011	Sp	54	CSA3264001	A -13	2	CSA3353201	N -6	30	CSA3477001	R -10	38
CSA1752014	Sp	54	CSA3265001	A -14	2	CSA3354001	N -7	30	CSA3481001	R -24	38
CSA1881001	Sp	53	CSA3266001	A -16	2	CSA3355001	N -11	30	CSA3486001	R -28	38
CSA1882001	Sp	53	CSA3273001	F -15	14	CSA3357101	N -14	30	CSA3487001	C -66	8
CSA1890201	Sp	53	CSA3274101	F -29	14	CSA3361001	N -18	30	CSA3488001	B -27	4
CSA1984001	J -12	20	CSA3275001	F -31	14	CSA3363001	C -1	6	CSA3489001	Z -79	52
CSA1988001	J -25	20	CSA3276001	F -33	14	CSA3364001	C -2	6	CSA3497001	B -17	4
CSA1994101	J -38	20	CSA3277001	F -34	14	CSA3366001	C -5	6	CSA3499001	B -2	4
CSA2040001	A -21	2	CSA3278001	F -36	14	CSA3367001	C -9	6	CSA3503201	G -5	16
	Wa	58	CSA3279001	G -4	16	CSA3368001	C -10	6	CSA3504201	G -6	16
CSA2041001	A -21	2	CSA3280001	G -26	16	CSA3370001	C -16	6	CSA3519101	U -1	44
	Wa	58	CSA3282001	G -8	16	CSA3371001	C -20	6	CSA3523101	R -26	38
CSA2173201	Sp	53	CSA3283101	F -46	14	CSA3372001	C -22	6	CSA3528001	B -28	4
CSA2229001	Ga	56	CSA3284001	F -38	14	CSA3373001	C -25	6	CSA3533001	C -3	6
CSA2230001	Ga	56	CSA3287001	G -22	16	CSA3378001	Sp	54	CSA3534001	C -26	6
CSA2232001	Ga	56	CSA3289001	J -1	20	CSA3379001	G -13	16	CSA353800		

## 索引 / INDEX

CODE	REF.NO	Page	CODE	REF.NO	Page	CODE	REF.NO	Page	CODE	REF.NO	Page
CSA3619001	Ga	55	CSA3831001	S -3	40	CSA6432001	K -53	24			
CSA3620001	Ga	56	CSA3833101	S -7	40	CSA6492001	V1 -1	46			
CSA3621001	Ga	55	CSA3839001	S -8	40	CSA6493001	V1 -26	46			
CSA3622001	Ga	56	CSA4068101	F -4	14	CSA6504001	V1 -31	46			
CSA3623001	Ga	56	CSA4072001	D -49	10	CSA6505014	V1 -27	46			
CSA3624001	Ga	56	CSA4104001	Z -73	52	CSA6506014	V1 -28	46			
CSA3625001	Ga	56	CSA4127001	R -7	38	CSA6509001	Sp	54			
CSA3626001	Ga	57	CSA4130001	C -62	8	CSA6510001	Sp	54			
CSA3627001	Ga	57	CSA4143001	H -18	18	CSA6511001	Sp	54			
CSA3628001	D -5	10	CSA4145001	C -67	8	CSA6563001	B -18	4			
CSA3629001	D -39	10	CSA4146001	H -21	18	CSA6596001	K -53	24			
CSA3630001	D -43	10	CSA4171001	J -5	20	CSA6597001	K -57	24			
CSA3631001	D -46	10	CSA4172001	B -4	4	CXC5780001	C -7	6			
CSA3635101	H -24	18	CSA4173001	B -4	4						
	Z -94	52	CSA4174001	B -4	4						
	Sp	54	CSA4175001	B -4	4						
CSA3645201	V1 -30	46	CSA4177001	B -11	4						
	Ga	57	CSA4178001	B -14	4						
CSA3646201	Sp	53	CSA4179001	B -7	4						
	Ga	57	CSA4180001	B -8	4						
CSA3652201	Sp	53	CSA4187001	F -14	14						
CSA3653201	Sp	53	CSA4188001	F -14	14						
CSA3654201	Ga	57	CSA4189001	F -14	14						
CSA3655001	K -52	22	CSA4190001	F -14	14						
CSA3707001	D -37	10	CSA4195001	Ga	57						
CSA3708001	C -33	6	CSA4196001	Ga	57						
CSA3720001	P1 -17	32	CSA4197001	C -14	6						
CSA3722001	P1 -30	32	CSA4198001	C -74	8						
CSA3724101	P1 -24	32	CSA4199001	F -21	14						
CSA3739301	P1 -28	32	CSA4221001	G -27	16						
CSA3744001	P1 -29	32	CSA4222001	G -29	16						
CSA3755201	P2 -1	34	CSA4315001	Sp	53						
CSA3762001	P2 -5	34	CSA4327001	B -18	4						
CSA3765001	P2 -2	34	CSA4329001	K -65	24						
CSA3766001	P2 -3	34	CSA4330001	K -64	24						
CSA3767001	P2 -4	34	CSA4333001	H -3	18						
CSA3768001	P2 -6	34	CSA4347001	R -12	38						
CSA3769001	P2 -7	34	CSA4348001	R -18	38						
CSA3770001	P2 -8	34	CSA4354001	K -51	22						
CSA3771001	P2 -9	34		N -13	30						
CSA3784001	U -5	44	CSA4461001	N -12	30						
CSA3789101	Q -11	36	CSA4510001	Q -12	36						
CSA3794001	P2 -10	34	CSA4518001	K -54	24						
CSA3795001	P2 -11	34	CSA4519001	K -76	24						
CSA3796001	P1 -48	32	CSA4545001	K -35	22						
CSA3797001	P1 -22	32	CSA4546001	K -31	22						
CSA3806001	P1 -37	32	CSA5137001	N -23	30						
CSA3808001	P1 -18	32	CSA5138001	N -15	30						
CSA3809001	Q -8	36	CSA5221001	Ga	57						
CSA3812001	Q -7	36	CSA6128001	F -101	14						
CSA3813001	Q -1	36	CSA6129001	F -102	14						
CSA3816001	Q -6	36	CSA6133001	Sp	53						
CSA3817001	Ga	57	CSA6156001	V2 -1	48						
CSA3819001	Q -3	36	CSA6157001	V2 -2	48						
CSA3820001	Z -6	50	CSA6158001	V2 -3	48						
CSA3822001	Q -2	36	CSA6346001	Ga	56						
CSA3823001	Q -5	36	CSA6364001	P1 -13	32						
CSA3824001	Q -14	36	CSA6397001	K -56	24						
CSA3825001	Q -4	36		Z -101	52						
CSA3826001	Q -9	36	CSA6398001	K -56	24						
CSA3827001	Q -10	36		Z -101	52						
CSA3828001	Q -13	36	CSA6429001	K -53	24						
CSA3829001	S -1	40	CSA6431001	K -57	24						