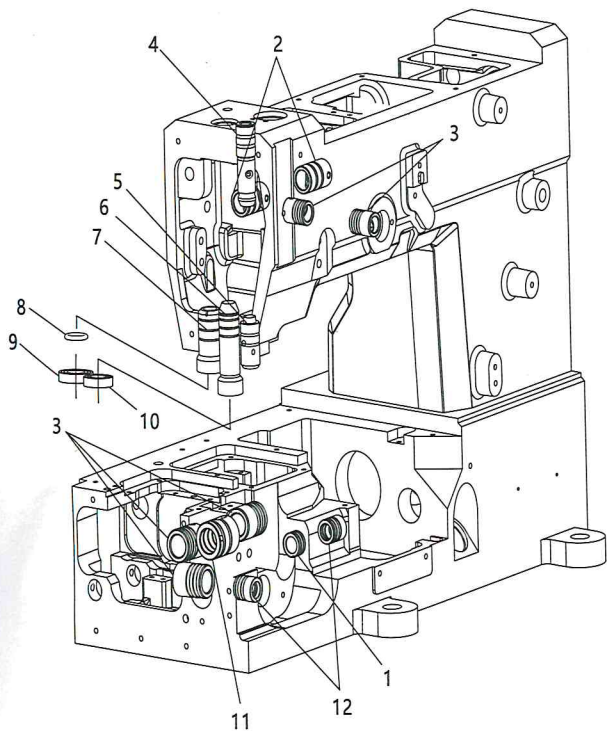
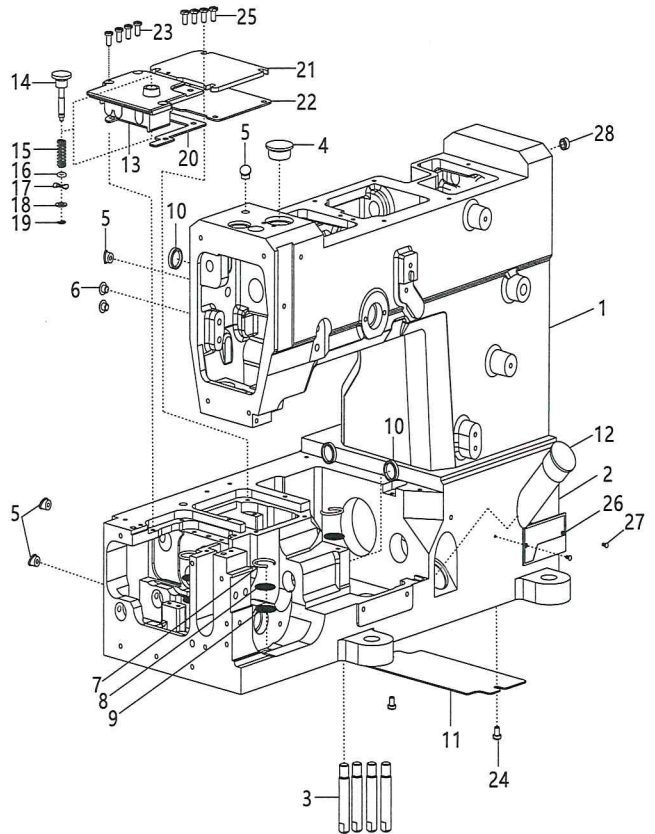


# 17 零件手册 (PARTS BOOK)

## 1、套筒部件/Bushing assemblies



## 2、车壳部件/Frame assemblies

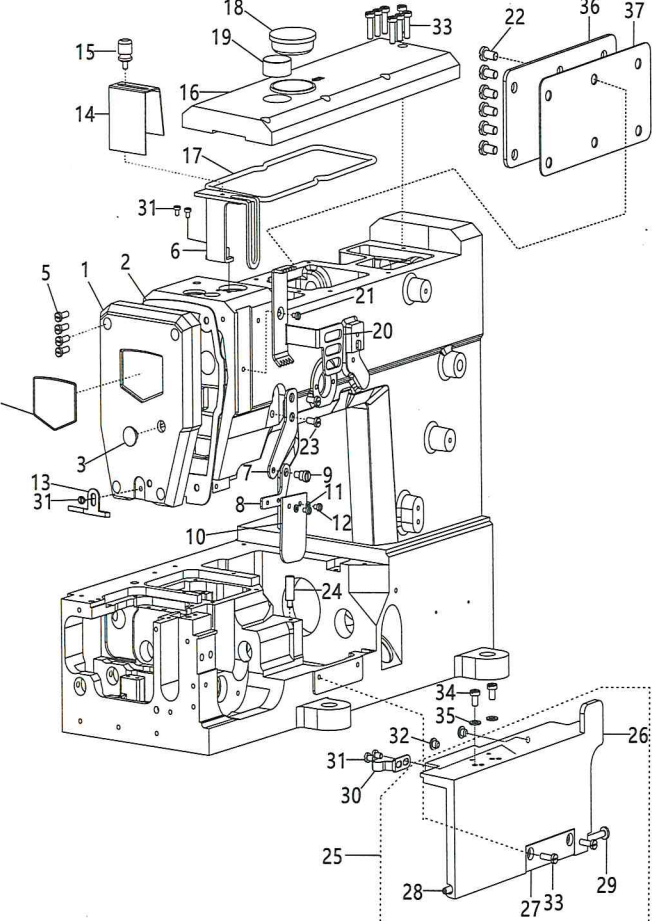


| 序号<br>Ref.No. | 物料号<br>Part.No. | 名称      | Description | 数量<br>Q'ty | 备注<br>Remark |
|---------------|-----------------|---------|-------------|------------|--------------|
| 1             | 13.000.00012    | 保针轴套筒   | bushing     | 1          |              |
| 2             | 13.000.00002    | 摆杆连杆轴套筒 | sleeve      | 2          |              |
| 3             | 13.000.00003    | 摆轴套筒    | sleeve      | 5          |              |
| 4             | 13.000.00004    | 针杆上套    | sleeve      | 1          |              |
| 5             | 13.000.00005    | 针杆下套    | sleeve      | 1          |              |
| 6             | 13.000.00006    | 滚针摆动套筒  | sleeve      | 1          |              |
| 7             | 13.000.00008    | 压脚轴套筒   | sleeve      | 1          |              |
| 8             | 13.000.00048    | O型圈Φ9   | sleeve      | 1          |              |
| 9             | 13.000.00009    | 油封Φ9    | plug        | 1          |              |
| 10            | 13.000.00007    | 油封Φ8    | plug        | 1          |              |
| 11            | 13.000.00010    | 主轴套筒    | bushing     | 1          |              |
| 12            | 13.000.00011    | 护针轴前套筒  | bushing     | 2          |              |

| 序号<br>Ref.No. | 物料号<br>Part.No. | 名称     | Description                     | 数量<br>Q'ty | 备注<br>Remark |
|---------------|-----------------|--------|---------------------------------|------------|--------------|
| 1             | 19.01.03.00009  | 机壳     | ARM                             | 1          |              |
| 2             | 19.01.03.00010  | 机座     | Machine seat                    | 1          |              |
| 3             | 17.01.00277     | 底板支柱   | Machine mounting screw M8       | 4          |              |
| 4             | 13.000.00014    | 橡胶塞    | plug                            | 1          |              |
| 5             | 13.000.00015    | 橡胶塞    | plug                            | 4          |              |
| 6             | 13.000.00016    | 防震垫    | plug                            | 2          |              |
| 7             | 13.000.00017    | 挡油内孔   | Oil shield coil protecting ring | 3          |              |
| 8             | 13.000.00018    | 滤油网(粗) | Filter halftone                 | 3          |              |
| 9             | 13.000.00019    | 滤油网(细) | Filter halftone                 | 3          |              |
| 10            | 13.000.00020    | 橡胶塞    | plug                            | 3          |              |
| 11            | 13.000.00021    | 底盖板    | BED hood plate                  | 1          |              |
| 12            | 13.000.00022    | 油标     | Oil indication window           | 1          |              |
| 13            | 13.000.00023    | 下节左盖   | Top cover plate (left)          | 1          |              |
| 14            | 13.000.00024    | 针距调节按钮 | Needle distance button          | 1          |              |
| 15            | 13.000.00025    | 针距调节簧  | Needle distance button spring   | 1          |              |
| 16            | 13.000.00026    | O型圈    | O ring                          | 1          |              |
| 17            | 17.05.00030     | 波形垫圈   | Washer                          | 1          |              |
| 18            | 17.05.00042     | 平垫圈    | Washer                          | 1          |              |
| 19            | 17.05.00018     | 开口挡圈   | Snap ring                       | 1          |              |
| 20            | 13.000.00027    | 下节左盖垫  | gasket                          | 1          |              |
| 21            | 13.000.00028    | 下节右盖   | Top cover (right)               | 1          |              |
| 22            | 13.000.00029    | 下节右盖垫  | gasket                          | 1          |              |
| 23            | 17.01.00029     | 螺钉     | Screw                           | 4          |              |
| 24            | 17.01.00036     | 螺钉     | Screw                           | 2          |              |
| 25            | 17.01.00100     | 螺钉     | Screw                           | 4          |              |
| 26            | 15.03.00008     | 型号牌    | Plate with model                | 1          |              |
| 27            | 15.03.00062     | 标牌铆钉   | Rivet                           | 2          |              |
| 28            | 13.000.00030    | 橡胶塞    | plug                            | 1          |              |

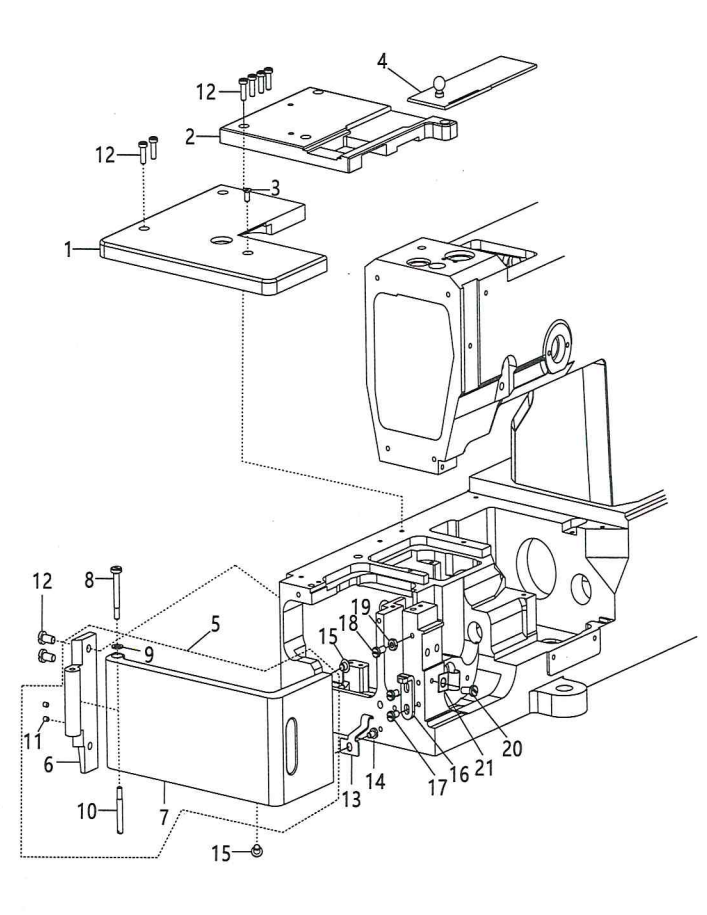
926013

3、罩壳部件/Cover assemblies



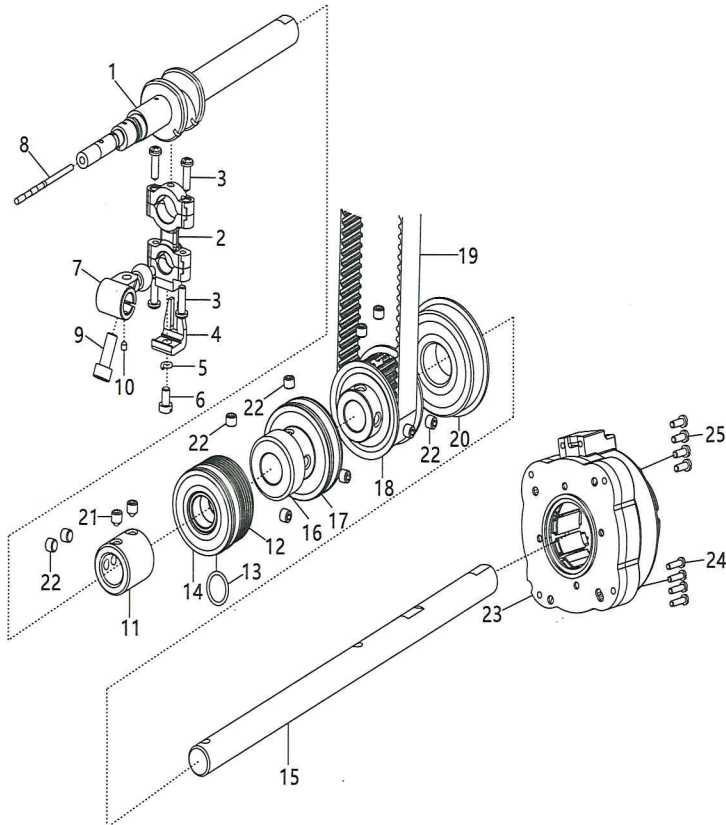
| 序号<br>Ref.No. | 物料号<br>Part.No.  | 名称        | Description                | 数量<br>Q'ty | 备注<br>Remark |
|---------------|------------------|-----------|----------------------------|------------|--------------|
| 1             | 20.02.03.00045   | 面板        | Face cover                 | 1          |              |
| 2             | 13.006.00004     | 面板密封垫     | Face cover gasket          | 1          |              |
| 3             | 13.000.00032     | 橡胶塞       | plug                       | 1          |              |
| 4             | 15.03.00009      | 商标牌       |                            | 1          |              |
| 5             | 17.01.00091      | 螺钉        | Screw                      | 4          |              |
| 6             | 13.006.00005     | 针杆上挑线防护罩架 | Thread take-up lever guard | 1          |              |
| 7             | 13.006.00014     | 防护罩座      | Shield seat                | 1          |              |
| 8             | 13.006.00013     | 防护罩支架     | Shield bracket             | 1          |              |
| 9             | 17.01.00097      | 螺钉        | Screw                      | 1          |              |
| 10            | 13.006.00015     | 防护罩       | Therading cover spring     | 1          |              |
| 11            | 17.05.00040      | 平垫圈       | Washer                     | 2          |              |
| 12            | 17.01.00019      | 螺钉        | Screw                      | 2          |              |
| 13            | 13.000.00037     | LED灯      | Sewing machina LED         | 1          |              |
| 14            | 13.006.00016     | 针杆上挑线防护罩  | Thread take-up lever guard | 1          |              |
| 15            | 17.01.00154      | 螺钉        | Screw                      | 1          |              |
| 16            | 20.02.03.00044   | 上盖        | Upper cover                | 1          |              |
| 17            | 13.006.00003     | 上盖密封垫     | Upper cover gasket         | 1          |              |
| 18            | 13.000.00040     | 上盖橡胶塞     | Upper cover plug           | 1          |              |
| 19            | 13.000.00041     | 油窗        | Sight Window               | 1          |              |
| 20            | 13.006.00006     | 面线过线板     | Threan takeup cover        | 1          |              |
| 21            | 17.01.00027      | 螺钉        | Screw                      | 1          |              |
| 22            | 17.01.00025      | 螺钉        | Screw                      | 6          |              |
| 23            | 17.01.00090      | 螺钉        | Screw                      | 2          |              |
| 24            | 17.01.00031      | 过线连接柱     | Thread handler link        | 1          |              |
| 25            | 20.02.03.00048   | 前缝台组件     | Screw                      | 1          |              |
| 26            | 20.02.03.00048-1 | 前罩缝台盖     | Screw                      | 1          |              |
| 27            | 20.02.03.00048-2 | 前罩缝台座     | Screw                      | 1          |              |
| 28            | 20.02.03.00048-3 | 前罩缝台座螺钉   | Screw                      | 1          |              |
| 29            | 20.02.03.00048-4 | 前罩缝台座紧定螺钉 | Screw                      | 1          |              |
| 30            | 13.000.00043     | 前罩缝台簧     | Therading cover spring     | 1          |              |
| 31            | 17.01.00036      | 螺钉        | Screw                      | 7          |              |
| 32            | 13.000.00044     | 防震垫(厚)    | Shockproof plug            | 2          |              |
| 33            | 17.01.00023      | 螺钉        | Screw                      | 9          |              |
| 34            | 17.01.00034      | 螺钉        | Screw                      | 2          |              |

4、缝台部件/Cloth plate assemblies

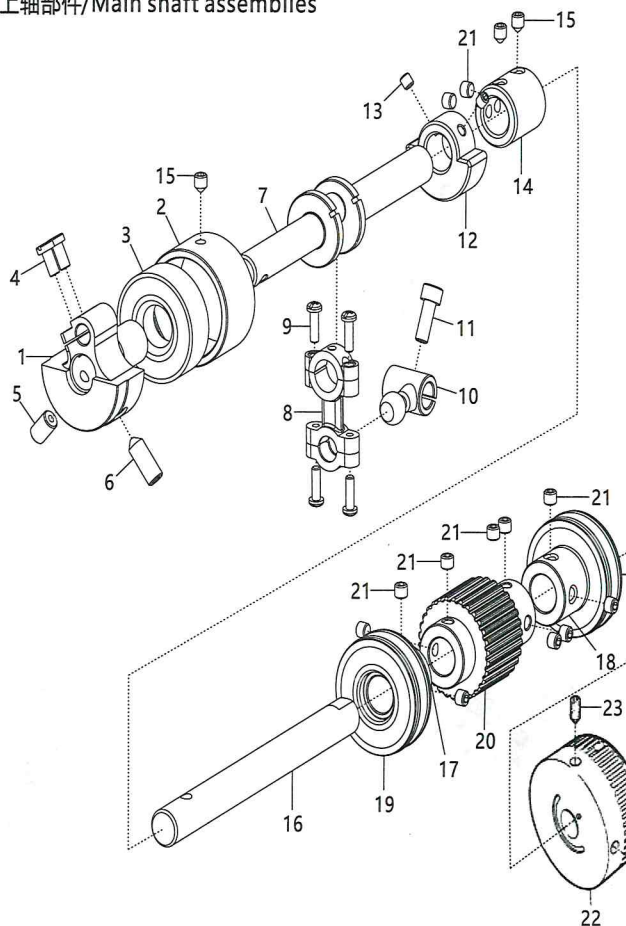


| 序号<br>Ref.No. | 物料号<br>Part.No.  | 名称      | Description         | 数量<br>Q'ty | 备注<br>Remark |
|---------------|------------------|---------|---------------------|------------|--------------|
| 1             | 20.02.03.00047   | 左缝台盖    | Bed cover ( left )  | 1          |              |
| 2             | 20.02.03.00046   | 右缝台盖    | Bed cover ( right ) | 1          |              |
| 3             | 17.01.00026      | 螺钉      | Screw               | 1          |              |
| 4             | 13.000.00045     | 推板      | Cover               | 1          |              |
| 5             | 20.02.03.00049   | 前罩组件    | Side coverassy      | 1          |              |
| 6             | 20.02.03.00049-1 | 前罩铰链板   | Cover               | 1          |              |
| 7             | 20.02.03.00049-2 | 前罩      | Side cover          | 1          |              |
| 8             | 20.02.03.00049-3 | 铰链连接上螺钉 | Screw               | 1          |              |
| 9             | 20.02.03.00049-4 | 弹簧垫圈    | Spring              | 1          |              |
| 10            | 20.02.03.00049-5 | 销螺钉     | Screw               | 1          |              |
| 11            | 20.02.03.00049-6 | 螺钉      | Screw               | 2          |              |
| 12            | 17.01.00091      | 螺钉      | Screw               | 8          |              |
| 13            | 13.006.00011     | 侧前锁紧簧   | Flat spring         | 1          |              |
| 14            | 17.01.00036      | 螺钉      | Screw               | 1          |              |
| 15            | 13.000.00016     | 防震垫     | plug                | 2          |              |
| 16            | 13.000.00047     | 防震板     | Shockproof board    | 1          |              |
| 17            | 17.01.00043      | 螺钉      | Screw               | 2          |              |
| 18            | 17.01.00090      | 螺钉      | Screw               | 1          |              |
| 19            | 17.04.00015      | 螺母      | NUTM4               | 1          |              |
| 20            | 17.01.00071      | 螺钉      | Screw               | 1          |              |
| 21            | 13.006.00012     | 侧前锁紧舌   | Flat spring         | 1          |              |

5、下轴部件/Hook shaft assemblies

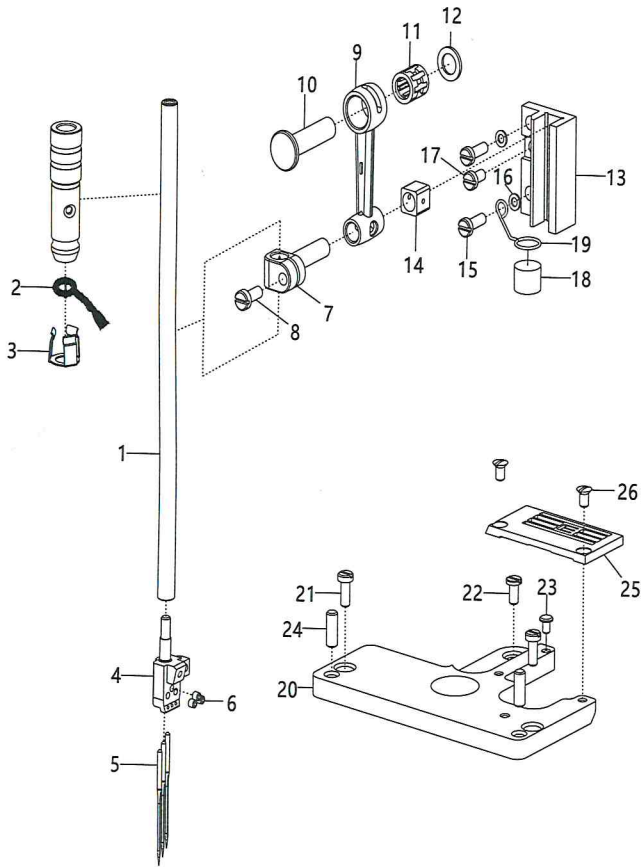


6、上轴部件/Main shaft assemblies



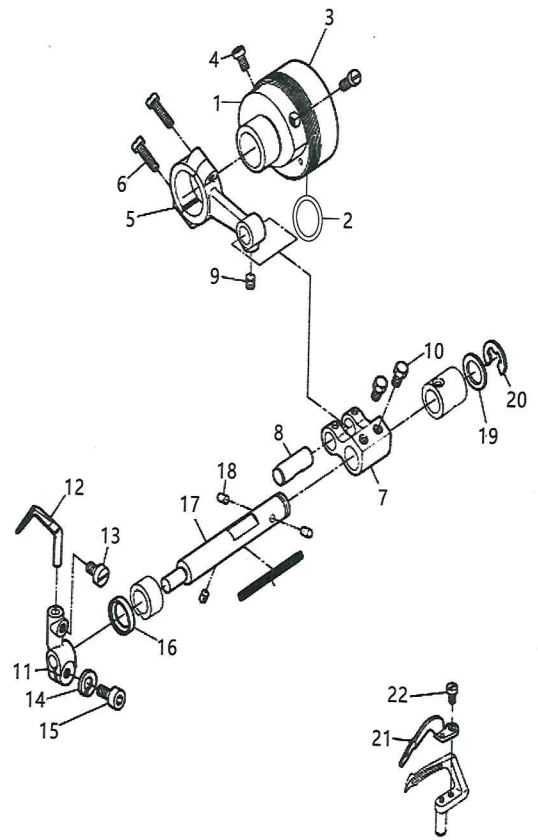
| 序号<br>Ref.No. | 物料号<br>Part.No.  | 名称      | Description                    | 数量<br>Q'ty | 备注<br>Remark | 序号<br>Ref.No. | 物料号<br>Part.No. | 名称     | Description                     | 数量<br>Q'ty |
|---------------|------------------|---------|--------------------------------|------------|--------------|---------------|-----------------|--------|---------------------------------|------------|
| 1             | 13.000.00061-12  | 下轴      | Crankshaft assy                | 1          |              | 1             | 13.000.00062    | 针杆曲柄   | Needle bar crank                | 1          |
| 2             | 13.000.00061-1   | 弯针连杆    | Connection assy                | 1          |              | 2             | 13.000.00063    | 轴承套    | Bushing                         | 1          |
| 3             | 13.000.00061-2   | 螺钉      | Screw                          | 4          |              | 3             | 17.06.00006     | 轴承     | Bushing                         | 2          |
| 4             | 13.000.00061-3   | 止摆叉口    | Fork                           | 1          |              | 4             | 17.01.00025     | 螺钉     | Screw                           | 2          |
| 5             | 13.000.00061-4   | 弹簧垫圈    | Snap rign                      | 1          |              | 5             | 17.03.00008     | 螺钉     | Screw                           | 1          |
| 6             | 13.000.00061-5   | 螺钉      | Screw                          | 1          |              | 6             | 17.01.00032     | 螺钉     | Screw                           | 1          |
| 7             | 13.000.00061-6   | 弯针球曲柄   | Looprt ball crank              | 1          |              | 7             | 13.000.00069-1  | 上前轴    | Main shaft forepart             | 1          |
| 8             | 13.000.00052     | 下轴油量调节销 | Oil flow regulating needle     | 1          |              | 8             | 13.000.00061-1  | 上挑线连杆  | Upper tace-up thread link lever | 1          |
| 9             | 17.03.00006      | 螺钉      | Screw                          | 1          |              | 9             | 13.000.00061-2  | 螺钉     | Screw                           | 4          |
| 10            | 17.01.00014      | 螺钉      | Screw                          | 1          |              | 10            | 13.000.00061-7  | 上挑线球曲柄 | Upper tace-up thread ball crank | 1          |
| 11            | 13.000.00053     | 联轴器     | Link bearing                   | 2          |              | 11            | 17.03.00006     | 螺钉     | Screw                           | 2          |
| 12            | 13.000.00054     | 下轴中衬套   | Lower shaft centre bushing ASM | 1          |              | 12            | 13.000.00064    | 上轴平衡块  | Upper balance block             | 1          |
| 13            | 13.000.00055     | O型圈     | Bearing support                | 1          |              | 13            | 17.01.00078     | 螺钉     | Screw                           | 2          |
| 14            | 17.06.00005      | 轴承      | Bearing                        | 1          |              | 14            | 13.000.00053    | 联轴器    | Link bearing                    | 1          |
| 15            | 13.000.00056     | 下轴后节    | Lower shaft backside           | 1          |              | 15            | 17.03.00007     | 螺钉     | Screw                           | 3          |
| 16            | 13.000.00057     | 油泵螺杆    | Oil pump worm                  | 1          |              | 16            | 13.006.00023    | 上轴后节   | Main shaft backside             | 1          |
| 17            | 17.06.00007      | 轴承6204  | Bearing                        | 1          |              | 17            | 13.000.00067    | 上轴前衬套  | Main shaft front bushing        | 1          |
| 18            | 13.000.00058     | 下轴同步带轮  | Driving wheel                  | 1          |              | 18            | 13.000.00068    | 上轴后衬套  | Main shaft back bushing         | 1          |
| 19            | 13.000.00059     | 同步带     | Belt                           | 2          |              | 19            | 17.06.00007     | 轴承     | Bushing                         | 2          |
| 20            | 17.06.00004      | 轴承      | Bearing                        | 1          |              | 20            | 13.000.00065    | 轴同步带轮  | Follower wheel                  | 1          |
| 21            | 17.03.00007      | 螺钉      | Screw                          | 2          |              | 21            | 17.03.00011     | 螺钉     | Screw                           | 12         |
| 22            | 17.03.00011      | 螺钉      | Screw                          | 10         |              | 22            | 20.02.03.00061  | 手轮     | Main shaft back bushing         | 1          |
| 23            | 18.01.02.00006   | 电机组件    | Motor assembly                 | 1          |              | 23            | 17.01.00013     | 螺钉     | Screw                           | 2          |
| 24            | 18.01.02.00006-1 | 螺钉      | Screw                          | 4          |              | 24            | 17.05.00033     | 平垫圈    | Washer                          | 1          |
| 25            | 18.01.02.00006-2 | 螺钉      | Screw                          | 4          |              | 25            | 17.01.00108     | 螺钉     | Screw                           | 1          |

### 7、针杆部件/Needle bar assemblies



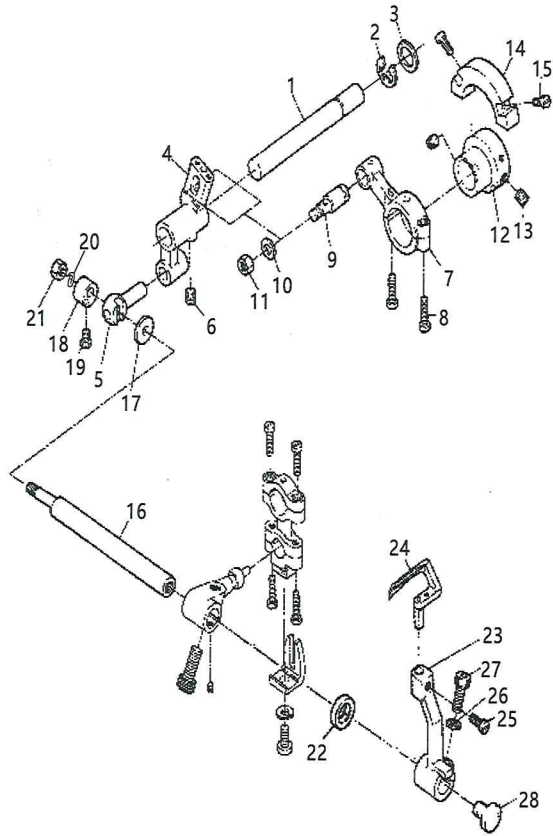
| 序号<br>Ref.No. | 物料号<br>Part.No. | 名称       | Description                    | 数量<br>Q'ty | 备注<br>Remark |
|---------------|-----------------|----------|--------------------------------|------------|--------------|
| 1             | 13.000.00070    | 针杆       | Needle BAR                     | 1          |              |
| 2             | 16.05.00013     | 油线       | Oil wick                       | 1          |              |
| 3             | 13.000.00071    | 油线夹      | Oil wick holder                | 1          |              |
| 4             | 13.000.00072    | 针夹头      | Needle holder                  | 1          |              |
| 5             | 13.000.00073    | 机针       | Needle                         | 3          |              |
| 6             | 17.01.00042     | 螺钉       | Screw                          | 3          |              |
| 7             | 13.000.00074    | 针杆接头     | Needle BAR connecting pole     | 1          |              |
| 8             | 17.02.00097     | 螺钉       | Screw                          | 1          |              |
| 9             | 13.000.00075    | 针杆连杆     | Needle BAR link lever          | 1          |              |
| 10            | 13.000.00076    | 针杆连接销    | Needle BAR link pin            | 1          |              |
| 11            | 17.06.00013     | 滚针轴承     | Needle bearing                 | 1          |              |
| 12            | 17.05.00032     | 平垫圈      | Washer                         | 1          |              |
| 13            | 13.000.00077-2  | 针杆滑块座    | Needle BAR slide block seating | 1          |              |
| 14            | 13.000.00077-1  | 针杆滑块     | Needle BAR slide block         | 1          |              |
| 15            | 17.01.00091     | 螺钉       | Screw                          | 2          |              |
| 16            | 17.05.00041     | 平垫圈      | Washer                         | 2          |              |
| 17            | 17.01.00043     | 螺钉       | Screw                          | 1          |              |
| 18            | 13.000.00079    | 油毡Φ12    | Oil felt                       | 1          |              |
| 19            | 13.000.00080    | 油毡定位圈    | Oil felt position loop         | 1          |              |
| 20            | 13.000.00081    | 针板座      | Needle plate link plate        | 1          |              |
| 21            | 17.01.00090     | 螺钉       | Screw                          | 2          |              |
| 22            | 17.01.00029     | 螺钉       | Screw                          | 1          |              |
| 23            | 13.000.00082    | 防震垫Φ3.2  | Shockproof plug                | 1          |              |
| 24            | 13.000.00084    | 圆柱销Φ5×13 | Needle plate link plate pin    | 2          |              |
| 25            | 13.000.00083    | 针板       | Needle plate                   | 1          |              |
| 26            | 17.01.00101     | 螺钉       | Screw                          | 2          |              |

### 8、护针部件/Needle guard assemblies

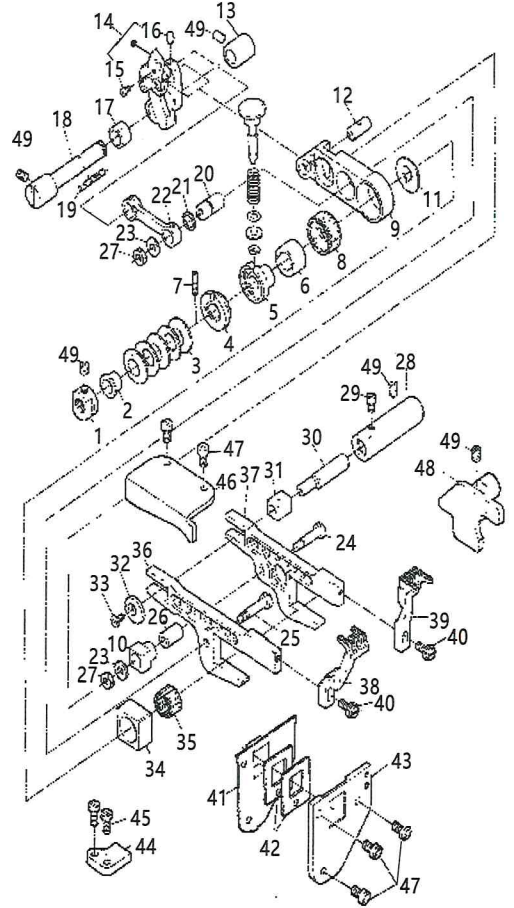


| 序号<br>Ref.No. | 物料号<br>Part.No. | 名称    | Description                   | 数量<br>Q'ty | 备注<br>Remark |
|---------------|-----------------|-------|-------------------------------|------------|--------------|
| 1             | 13.000.00061-9  | 下轴前衬套 | Lower shaft front bushing ASM | 1          |              |
| 2             | 13.000.00055    | O型圈   | Bearing support               | 1          |              |
| 3             | 17.06.00005     | 轴承    | Bearing                       | 1          |              |
| 4             | 17.01.00013     | 螺钉    | Screw                         | 2          |              |
| 5             | 13.000.00061-8  | 保针连杆  | Needle guard connecting ROD   | 1          |              |
| 6             | 13.000.00061-2  | 螺钉    | Screw                         | 2          |              |
| 7             | 13.000.00085    | 保针曲柄  | Needle guard crank            | 1          |              |
| 8             | 13.000.00086    | 保针曲柄销 | Needle guard crank pin        | 1          |              |
| 9             | 17.01.00120     | 螺钉    | Screw                         | 1          |              |
| 10            | 17.02.00172     | 螺钉    | Screw                         | 2          |              |
| 11            | 13.000.00087    | 保针座   | Needle guard base             | 1          |              |
| 12            | 13.000.00088    | 后保针   | Rear needle guard             | 1          |              |
| 13            | 17.01.00036     | 螺钉    | Screw                         | 1          |              |
| 14            | 17.05.00077     | 弹簧垫圈  | Snap ring                     | 1          |              |
| 15            | 17.01.00008     | 螺钉    | Screw                         | 1          |              |
| 16            | 13.000.00089    | 油封    | plug                          | 1          |              |
| 17            | 13.000.00090    | 保针轴   | Needle guard shaft            | 1          |              |
| 18            | 16.05.00013     | 油线    | Oil wick                      | 1          |              |
| 19            | 17.05.00039     | 平垫圈   | Washer                        | 1          |              |
| 20            | 17.05.00022     | 开口挡圈7 | Snap thrust ring              | 1          |              |
| 21            | 13.000.00091-1  | 前保针   | Screw                         | 1          |              |
| 22            | 13.000.00091-2  | 螺钉    | Screw                         | 1          |              |

9、弯针部件/Looper assemblies



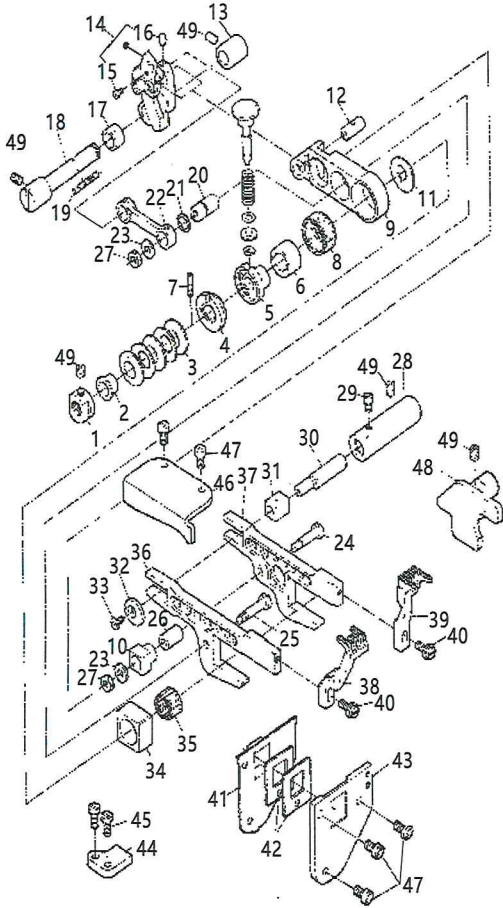
10、牙架部件/Feed dog holder assemblies



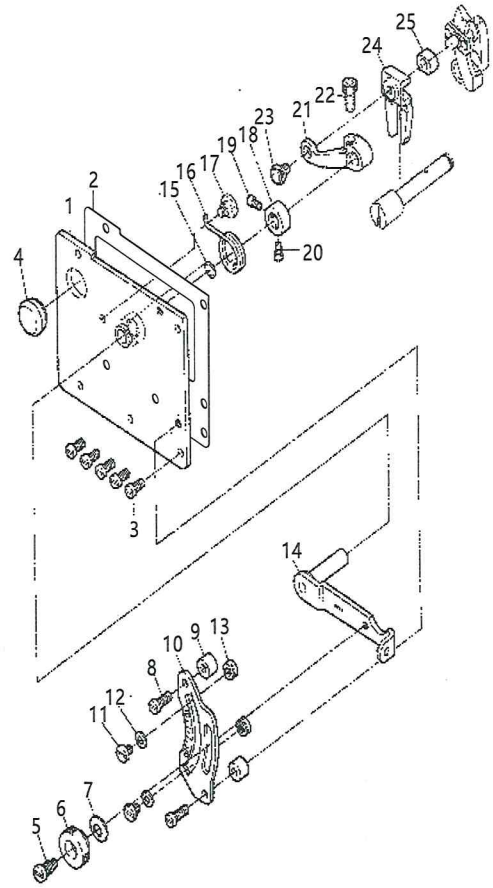
| 序号<br>Ref.No. | 物料号<br>Part.No. | 名称       | Description                   | 数量<br>Q'ty | 备注<br>Remark |
|---------------|-----------------|----------|-------------------------------|------------|--------------|
| 1             | 13.000.00092    | 弯针调节摆轴   | Looper regulate driving shaft | 1          |              |
| 2             | 17.05.00022     | 开口挡圈7    | Snap thrust ring              | 1          |              |
| 3             | 17.05.00039     | 平垫圈      | Washer                        | 1          |              |
| 4             | 13.000.00093-1  | 弯针摆动架    | Regulator driving BAR         | 1          |              |
| 5             | 13.000.00093-2  | 摆轴接头     | Connecting pole               | 1          |              |
| 6             | 17.01.00013     | 螺钉       | Screw                         | 1          |              |
| 7             | 13.000.00061-10 | 弯针连杆     | Looper link lever ASM         | 2          |              |
| 8             | 13.000.00061-2  | 螺钉       | Screw                         | 1          |              |
| 9             | 13.000.00095    | 弯针调节柱    | Looper regulator pole         | 1          |              |
| 10            | 17.05.00033     | 平垫圈      | Washer                        | 1          |              |
| 11            | 17.04.00010     | 螺母       | NUTM5                         | 1          |              |
| 12            | 13.000.00061-11 | 摆架偏心轮    | Eccentricity CAM              | 1          |              |
| 13            | 17.01.00013     | 螺钉       | Screw                         | 2          |              |
| 14            | 13.000.00096    | 平衡块      | Lower balance block           | 1          |              |
| 15            | 17.01.00021     | 螺钉       | Screw                         | 2          |              |
| 16            | 13.000.00097    | 弯针架轴     | Looper shaft                  | 1          |              |
| 17            | 17.05.00034     | 平垫圈      | Washer                        | 1          |              |
| 18            | 13.000.00098    | 偏心紧圈     | Eccentricity thrust ring      | 1          |              |
| 19            | 17.02.00044     | 螺钉       | Screw                         | 1          |              |
| 20            | 17.05.00076     | 标准型弹簧垫圈4 | Snap rign                     | 1          |              |
| 21            | 17.04.00015     | 螺母       | NUTM4                         | 1          |              |
| 22            | 13.000.00009    | 油封       | plug                          | 1          |              |
| 23            | 13.000.00099    | 弯针曲柄     | Looper crank                  | 1          |              |
| 24            | 13.000.00091    | 弯针       | Looper                        | 1          |              |
| 25            | 17.01.00043     | 螺钉       | Screw                         | 1          |              |
| 26            | 17.05.00077     | 标准型弹簧垫圈5 | Snap rign                     | 1          |              |
| 27            | 17.01.00062     | 螺钉       | Screw                         | 1          |              |
| 28            | 17.01.00030     | 螺钉       | Screw                         | 1          |              |

| 序号<br>Ref.No. | 物料号<br>Part.No. | 名称      | Description                       | 数量<br>Q'ty |
|---------------|-----------------|---------|-----------------------------------|------------|
| 1             | 13.000.00100    | 凸轮螺母    | CAM nut                           | 1          |
| 2             | 13.000.00101    | 台阶套     | Ladder bushing                    | 1          |
| 3             | 17.05.00027     | 鞍形弹性垫圈  | Wave washer                       | 5          |
| 4             | 13.000.00123    | 针距调节套   | Needle distance regulator bushing | 1          |
| 5             | 13.000.00124    | 送布调节凸轮  | Feed dog regulator CAM            | 1          |
| 6             | 13.000.00125    | 凸轮      | CAM                               | 1          |
| 7             | 17.01.00006     | 螺钉      | Screw                             | 1          |
| 8             | 17.06.00015     | 滚针轴承    | Needle bearing                    | 1          |
| 9             | 13.000.00102-1  | 送布连杆    | Feed dog link lever               | 1          |
| 10            | 13.000.00102-2  | 送布滑块    | Feed dog slide bolck              | 1          |
| 11            | 13.000.00104    | 送布连杆垫圈  | Feed dog link lever washer        | 1          |
| 12            | 13.000.00105    | 差动送布连杆销 | Feed dog link lever pin           | 1          |
| 13            | 13.000.00106    | 差动器轴套   | Differential feed bushing         | 1          |
| 14            | 13.000.00126    | 差动器组件   | Differential feed assembly        | 1          |
| 15            | 13.000.00126-1  | 螺钉      | Screw                             | 1          |
| 16            | 17.01.00015     | 螺钉      | Screw                             | 1          |
| 17            | 13.000.00107    | 差动器隔套   | Differential feed spacer          | 1          |
| 18            | 13.000.00108    | 差动器轴    | Differential feed shaft           | 1          |
| 19            | 16.05.00013     | 油线      | Oil wick                          | 1          |
| 20            | 13.000.00109    | 送布连杆销   | Feed dog link lever pin           | 1          |
| 21            | 17.05.00013     | 夹紧挡圈    | Snap ring                         | 1          |
| 22            | 13.000.00110    | 差动送布连杆  | Differential feed link lever      | 1          |
| 23            | 17.05.00035     | 平垫圈     | Washer                            | 2          |
| 24            | 17.02.00013     | 螺钉      | Screw                             | 1          |
| 25            | 17.02.00014     | 螺钉      | Screw                             | 1          |
| 26            | 13.000.00111    | 送布滑块套   | Feed dog slide block bushing      | 1          |
| 27            | 17.04.00021     | 螺母      | NUT                               | 2          |
| 28            | 13.000.00112    | 偏心轴套    | Eccentric bushing                 | 1          |
| 29            | 17.02.00202     | 螺钉      | Screw                             | 1          |
| 30            | 13.000.00113    | 牙架偏心轴   | Eccentric shaft                   | 1          |
| 31            | 13.000.00113    | 牙架后滑块   | Feed dog rack back slide block    | 1          |
| 32            | 13.000.00115    | 牙架偏心垫片  | Washer                            | 1          |
| 33            | 17.02.00206     | 螺钉      | Screw                             | 1          |
| 34            | 13.000.00116    | 牙架前滑块   | Feed rack front slide block       | 1          |
| 35            | 17.06.00014     | 滚针轴承    | Needle bearing                    | 1          |

10、牙架部件/Feed dog holder assemblies



11、差动部件/Differential assemblies

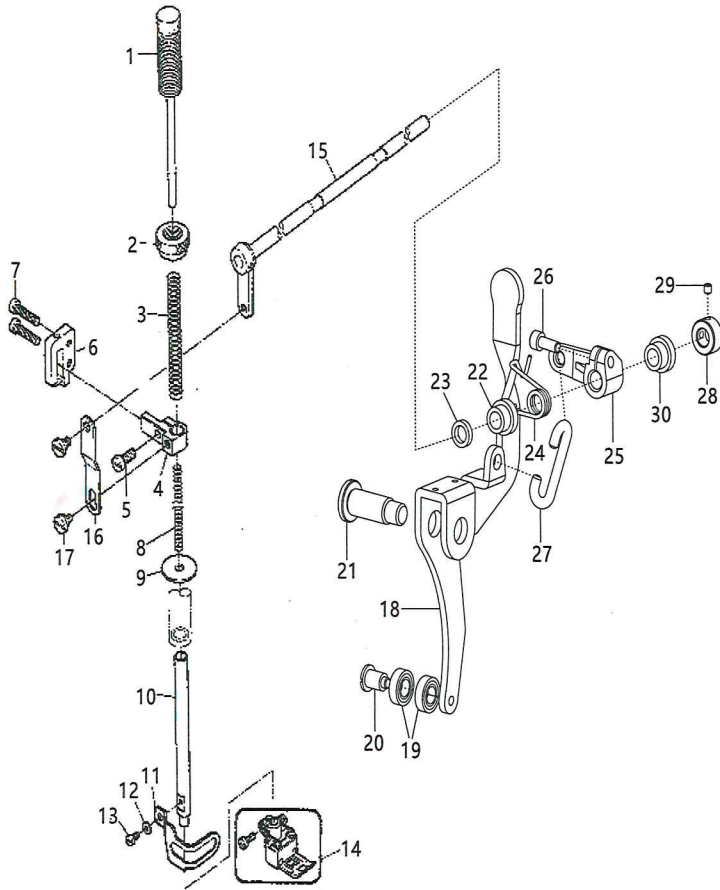


| 序号<br>Ref.No. | 物料号<br>Part.No. | 名称     | Description                   | 数量<br>Q'ty | 备注<br>Remark |
|---------------|-----------------|--------|-------------------------------|------------|--------------|
| 36            | 13.000.00127-1  | 差动牙架   | Differential feed back        | 1          |              |
| 37            | 13.000.00127-2  | 送布牙架   | Feed dog rack                 | 1          |              |
| 38            | 13.000.00128-1  | 差动牙齿   | Differential feed dog         | 1          |              |
| 39            | 13.000.00128-2  | 送布牙齿   | Main feed dog                 | 1          |              |
| 40            | 17.02.00181     | 螺钉     | Screw                         | 2          |              |
| 41            | 13.000.00117    | 垫板     | Washer                        | 1          |              |
| 42            | 13.000.00118    | 胶垫片    | Rubber washer                 | 2          |              |
| 43            | 13.000.00119    | 弯针盖    | Looper cover                  | 1          |              |
| 44            | 13.000.00120    | 左限位板   | Left stopper plate            | 1          |              |
| 45            | 17.01.00090     | 螺钉     | Screw                         | 2          |              |
| 46            | 13.000.00121    | 牙架上限位板 | Feed rack upper stopper plate | 1          |              |
| 47            | 17.01.00043     | 螺钉     | Screw                         | 5          |              |
| 48            | 13.000.00122    | 压架右限位板 | Feed rack right stopper plate | 1          |              |
| 49            | 17.01.00013     | 螺钉     | Screw                         | 5          |              |

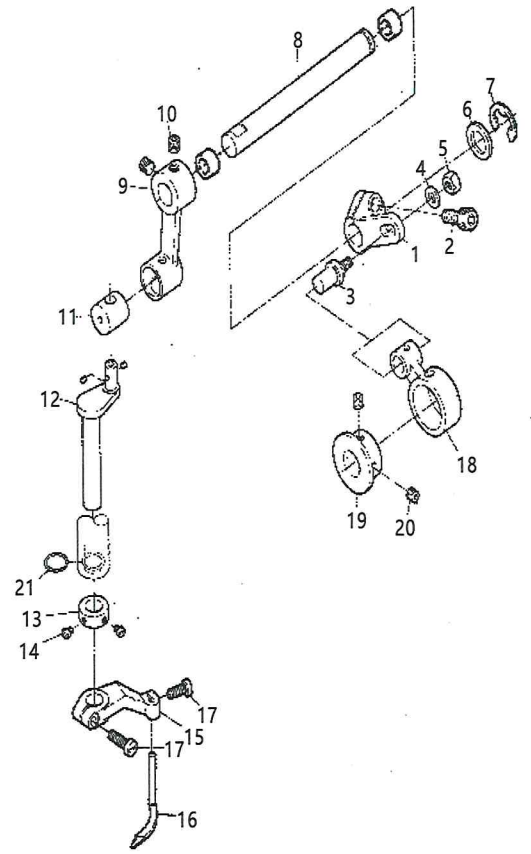
| 序号<br>Ref.No. | 物料号<br>Part.No. | 名称       | Description                                   | 数量<br>Q'ty | 备注<br>Remark |
|---------------|-----------------|----------|---|------------|--------------|
| 1             | 13.000.00129    | 差动调节板    | Differential feed regulating plate            | 1          |              |
| 2             | 13.000.00130    | 红纸垫      | Ladder bushing                                | 1          |              |
| 3             | 17.01.00043     | 螺钉       | Screw   | 5          |              |
| 4             | 13.000.00131    | 油封堵      | Needle distance regulator bushing             | 1          |              |
| 5             | 17.02.00018     | 螺钉       | Screw   | 1          |              |
| 6             | 17.04.00001     | 螺母       | Nut   | 1          |              |
| 7             | 17.05.00025     | 鞍形弹性垫圈   | Wave washer                                   | 1          |              |
| 8             | 17.01.00091     | 螺钉       | Screw   | 2          |              |
| 9             | 13.000.00132    | 刻度板隔套    | Graduation plate spacer                       | 2          |              |
| 10            | 13.000.00133    | 差动调节刻度板  | Differential feed regulating graduation plate | 1          |              |
| 11            | 17.02.00169     | 螺钉       | Screw   | 2          |              |
| 12            | 17.05.00035     | 平垫圈      | Washer  | 4          |              |
| 13            | 17.02.00015     | 对边缘锁紧螺母  | NUT   | 2          |              |
| 14            | 13.000.00134    | 调节杆      | Adjusting rod ASM                             | 1          |              |
| 15            | O型圈             | Ring     | 1   |            |              |
| 16            | 13.000.00136    | 差动扳手复位弹簧 | Differential feed regulating return spring    | 1          |              |
| 17            | 17.01.00046     | 螺钉       | Screw   | 1          |              |
| 18            | 13.000.00137    | 差动扳手紧圈   | Differential feed shaft                       | 1          |              |
| 19            | 17.02.00269     | 螺钉       | Screw   | 1          |              |
| 20            | 17.02.00167     | 螺钉       | Screw   | 1          |              |
| 21            | 13.000.00138    | 差动调节曲柄   | Differential feed regulating crank            | 1          |              |
| 22            | 17.01.00062     | 螺钉       | Screw   | 1          |              |
| 23            | 17.02.00177     | 螺钉       | Screw   | 1          |              |
| 24            | 13.000.00139-1  | 差动调节吊板   | Differential feed regulating fork plate       | 1          |              |
| 25            | 13.000.00139-2  | 滑块       | Slide block                                   | 1          |              |

15、过线部件/THREAD GUIDE COMPONENTS

12、抬压脚部件/PRESSER FOOT LIFTER COMPONENTS



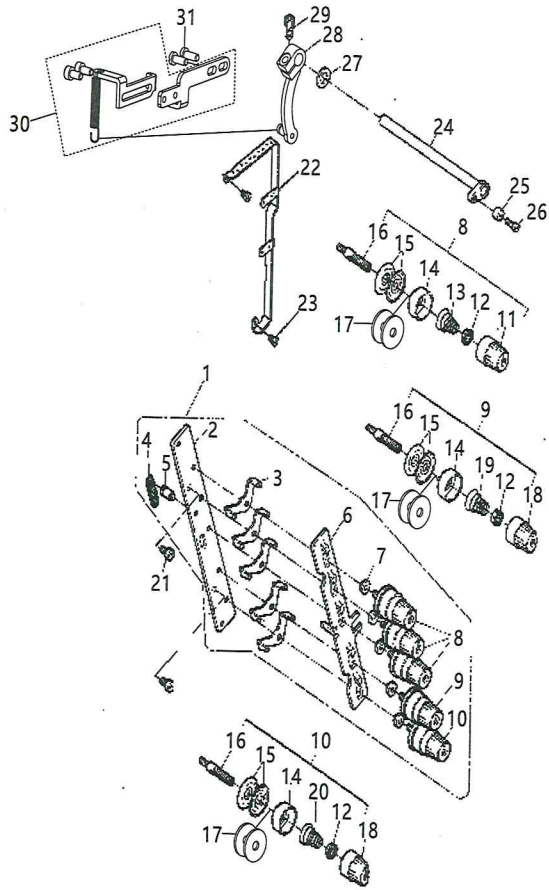
13、绷针部件/STRETCH NEEDLE COMPONENTS



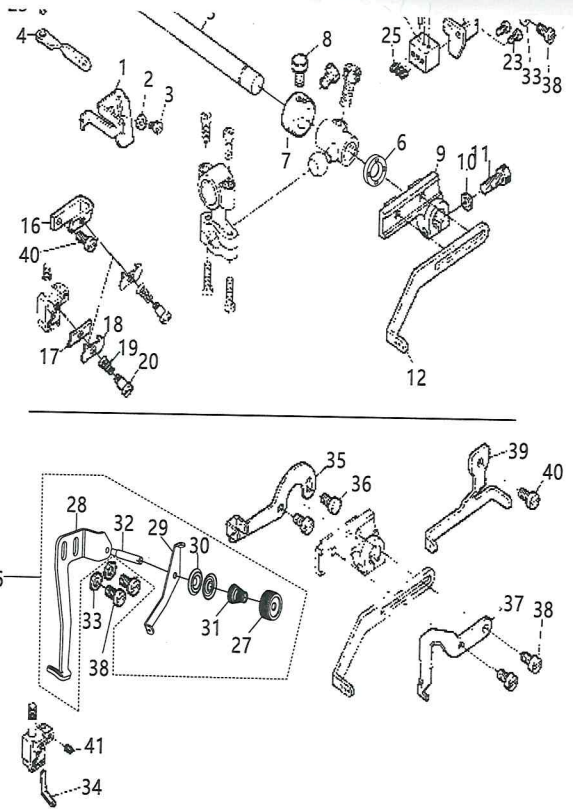
| 序号<br>Ref.No. | 物料号<br>Part.No. | 名称       | Description                     | 数量<br>Q'ty | 备注<br>Remark |
|---------------|-----------------|----------|---------------------------------|------------|--------------|
| 1             | 13.000.00157-1  | 调压螺钉     | Adjusting screw                 | 1          |              |
| 2             | 13.000.00157-2  | 调压螺母     | Adjusting nut                   | 1          |              |
| 3             | 13.000.00140    | 调压弹簧     | Presser regulating spring       | 1          |              |
| 4             | 13.000.00141    | 压杆导架     | Presser BAR guide bracket       | 1          |              |
| 5             | 17.02.00173     | 螺钉       | Screw                           | 1          |              |
| 6             | 13.000.00142    | 压杆导架座    | Presser BAR guide bracket base  | 1          |              |
| 7             | 17.01.00093     | 螺钉       | Screw                           | 2          |              |
| 8             | 13.000.00143    | 调压内弹簧    | Presser regulating inner spring | 1          |              |
| 9             | 13.000.00144    | 防油套      | Rubber washer                   | 1          |              |
| 10            | 13.000.00145    | 压紧杆      | Presser BAR                     | 1          |              |
| 11            | 13.000.00146    | 压紧杆防护罩   | Presser BAR shield              | 1          |              |
| 12            | 17.05.00040     | 平垫圈      | Washer                          | 1          |              |
| 13            | 17.01.00082     | 螺钉       | Screw                           | 1          |              |
| 14            | 13.000.00158    | 压脚组件     | Presser foot                    | 1          |              |
| 15            | 13.006.00032    | 抬压脚轴组件   | Presser foot lifting shaft      | 1          |              |
| 16            | 13.000.00147    | 抬压脚吊板    | Presser foot lifting steeve     | 1          |              |
| 17            | 17.02.00179     | 螺钉       | Screw                           | 2          |              |
| 18            | 13.006.00028    | 自动抬压脚杠杆  | Presser foot lifting lever      | 1          |              |
| 19            | 17.06.00016     | 滚针轴承     | Needle bearing                  | 2          |              |
| 20            | 13.006.00030    | 抬压脚扳手套   | Screw                           | 1          |              |
| 21            | 17.01.00153     | 螺钉       | Screw                           | 1          |              |
| 22            | 13.006.00002    | 抬压脚轴套(短) | Foot-lifting bushing            | 1          |              |
| 23            | 13.000.00144    | 防油套      | Oil seal                        | 1          |              |
| 24            | 13.006.00025    | 抬压左曲柄复位簧 | Return spring                   | 1          |              |
| 25            | 13.006.00026    | 抬压脚曲柄    | Feet lifting crank              | 1          |              |
| 26            | 17.01.00079     | 螺钉       | Screw                           | 1          |              |
| 27            | 13.006.00027    | 抬牙轴左曲柄簧  | Feet lifting lever              | 1          |              |
| 28            | 13.000.00149-1  | 抬压脚轴紧圈   | Retainer ring                   | 1          |              |
| 29            | 13.000.00149-2  | 螺钉       | Screw                           | 1          |              |
| 30            | 13.006.00001    | 抬压脚轴套(长) | Foot-lifting bushing            | 1          |              |

| 序号<br>Ref.No. | 物料号<br>Part.No. | 名称     | Description                          | 数量<br>Q'ty | 备注<br>Re |
|---------------|-----------------|--------|--------------------------------------|------------|----------|
| 1             | 13.000.00160    | 绷针调节摆杆 | Regulate oscillating BAR             | 1          |          |
| 2             | 17.03.00006     | 螺钉     | Screw                                | 1          |          |
| 3             | 13.000.00168    | 螺钉     | Screw                                | 1          |          |
| 4             | 17.05.00033     | 平垫圈    | Washer                               | 1          |          |
| 5             | 17.04.00010     | 螺母     | NUTM5                                | 1          |          |
| 6             | 17.05.00038     | 平垫圈    | Washer                               | 1          |          |
| 7             | 17.05.00067     | 开口挡圈   | Snap ring                            | 1          |          |
| 8             | 13.000.00161    | 绷针横轴   | Stretch tight needle crossing shaft  | 1          |          |
| 9             | 13.000.00164-1  | 绷针上摆轴  | Upper oscillating BAR                | 1          |          |
| 10            | 17.03.00011     | 螺钉     | Screw                                | 2          |          |
| 11            | 13.000.00164-2  | 绷针连接柱  | Stretch tight needle connecting pole | 1          |          |
| 12            | 13.000.00164-3  | 绷针曲柄   | Stretch tight needle crank           | 1          |          |
| 13            | 13.000.00165    | 绷针紧圈   | Thrust ring                          | 1          |          |
| 14            | 17.01.00004     | 螺钉     | Screw                                | 2          |          |
| 15            | 13.000.00166    | 绷针下摆杆  | Lower oscillating BAR                | 1          |          |
| 16            | 13.000.00167    | 绷针     | Stretch tight needle                 | 1          |          |
| 17            | 17.01.00091     | 螺钉     | Screw                                | 1          |          |
| 18            | 13.000.00069-2  | 绷针连杆   | Stretch tight needle link lever      | 1          |          |
| 19            | 13.000.00069-3  | 绷针凸轮   | Stretch tight needle CAM             | 1          |          |
| 20            | 17.01.00010     | 螺钉     | Screw                                | 2          |          |
| 21            | 17.05.00043     | 平垫圈    | Washer                               | 1          |          |

14、过线器部件/THREAD GUIDE MECHANISM COMPONENTS



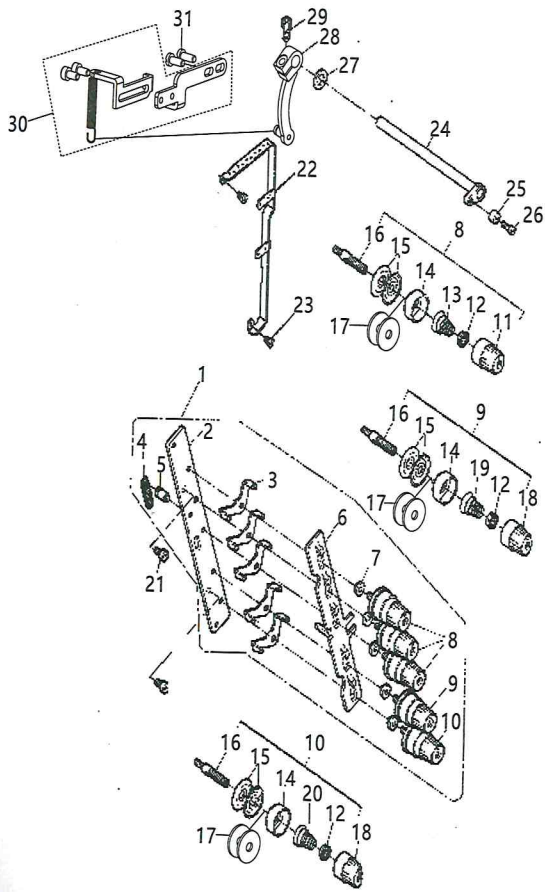
| 序号<br>Ref.No. | 物料号<br>Part.No.   | 名称      | Description                    | 数量<br>Q'ty | 备注<br>Remark |
|---------------|-------------------|---------|--------------------------------|------------|--------------|
| 1             | 13.000.00172      | 夹线器大组件  | Thread tension spring ARM      | 1          |              |
| 2             | 13.000.00172-1    | 挺线板     | Thread eyelet base             | 1          |              |
| 3             | 13.000.00172-2    | 二孔过线板   | Thread guide plate2            | 5          |              |
| 4             | 13.000.00172-3    | 螺钉      | Screw                          | 1          |              |
| 5             | 13.000.00172-4    | 挺线板弹簧   | Spring                         | 1          |              |
| 6             | 13.000.00172-5    | 过线座     | Thread eyelet base             | 2          |              |
| 7             | 13.000.00172-6    | 隔套      | Spacer                         | 5          |              |
| 8             | 13.000.00172-7    | 夹线器组件A  | Thread tension spring ARM A    | 3          |              |
| 9             | 13.000.00172-8    | 夹线器组件B  | Thread tension spring ARM B    | 1          |              |
| 10            | 13.000.00172-9    | 夹线器组件C  | Thread tension spring ARM C    | 1          |              |
| 11            | 13.000.00172-10   | 夹线螺母(红) | Thread tension nut red         | 1          |              |
| 12            | 13.000.00172-11   | 夹线防松圈   | Thread tension ring            | 1          |              |
| 13            | 13.000.00172-12   | 夹线簧φ1   | Thread tension spring          | 1          |              |
| 14            | 13.000.00172-13   | 夹线座     | Thread tension base            | 1          |              |
| 15            | 13.000.00172-14   | 夹线板     | Wood screw                     | 2          |              |
| 16            | 13.000.00172-15   | 螺钉      | Screw                          | 1          |              |
| 17            | 13.000.00172-16   | 夹线棉垫    | Wool felt                      | 2          |              |
| 18            | 13.000.00172-17   | 夹线螺母(黄) | Thread tension nut yellow      | 1          |              |
| 19            | 13.000.00172-18   | 夹线簧φ0.6 | Thread tension spring          | 1          |              |
| 20            | 13.000.00172-19   | 夹线簧φ0.8 | Thread tension spring          | 1          |              |
| 21            | 17.01.00043       | 螺钉      | Screw                          | 2          |              |
| 22            | 13.000.00169      | 过线架     | Thread eyelet stand            | 1          |              |
| 23            | 17.01.00036       | 螺钉      | Screw                          | 2          |              |
| 24            | 13.000.00173      | 挺线杆组件   | Thread eyelet base shaft       | 1          |              |
| 25            | 13.000.00170      | 隔套      | Spacer                         | 1          |              |
| 26            | 17.02.00168       | 螺钉      | Screw                          | 1          |              |
| 27            | 17.05.00037       | 平垫圈     | Washer                         | 1          |              |
| 28            | 18.02.06.00020-12 | 挺线杆曲柄   | Thread eyelet base shaft crank | 1          |              |
| 29            | 17.01.00079       | 螺钉      | Screw                          | 1          |              |
| 30            | 18.02.06.00020-13 | 复位组件    | Screw                          | 1          |              |
| 31            | 18.02.06.00020-14 | 螺钉      | Screw                          | 2          |              |



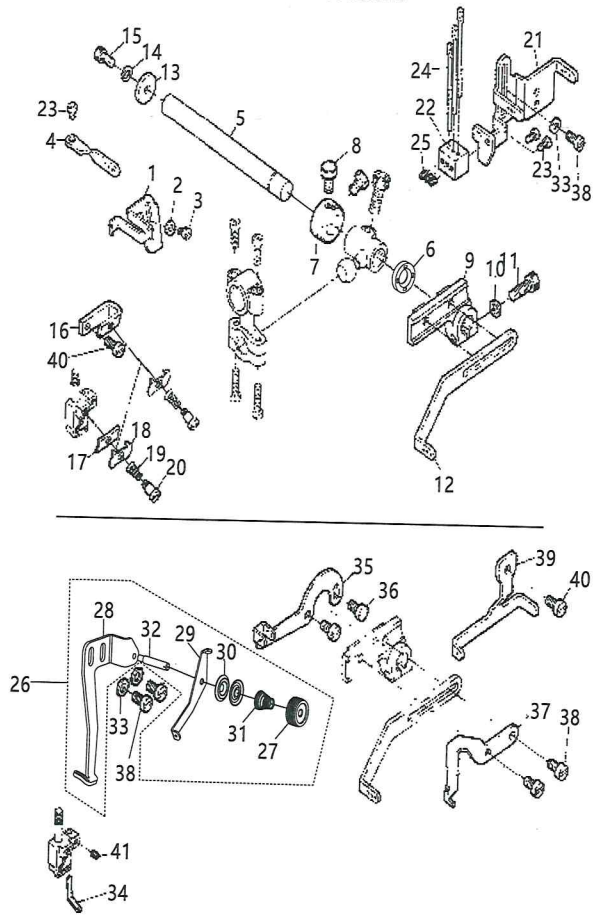
| 序号<br>Ref.No. | 物料号<br>Part.No. | 名称       | Description                 | 数量<br>Q'ty | 备注<br>Remark |
|---------------|-----------------|----------|-----------------------------|------------|--------------|
| 1             | 13.006.00007    | 面线紧勾     | Thread take-up shield       | 1          |              |
| 2             | 17.05.00040     | 平垫圈      | Washer                      | 1          |              |
| 3             | 17.01.00082     | 螺钉       | Screw                       | 1          |              |
| 4             | 13.006.00033    | 针杆上过线    | Needle bar top thread guide | 1          |              |
| 5             | 13.001.00021    | 挑线杆轴     | Thread take-up lever shaft  | 1          |              |
| 6             | 13.000.00009    | 油封       | plug                        | 1          |              |
| 7             | 13.000.00178    | 挑线杆轴紧圈   | Thrust ring                 | 1          |              |
| 8             | 17.02.00183     | 螺钉       | Screw                       | 2          |              |
| 9             | 13.000.00179    | 挑线杆座     | Thread take-up lever base   | 1          |              |
| 10            | 17.05.00077     | 标准型弹簧垫圈5 | Snap rign                   | 1          |              |
| 11            | 17.01.00062     | 螺钉       | Screw                       | 1          |              |
| 12            | 13.000.00180    | 挑线杆      | Thread take-up lever        | 1          |              |
| 13            | 17.05.00031     | 平垫圈      | Screw                       | 1          |              |
| 14            | 17.05.00076     | 标准型弹簧垫圈4 | Snap rign                   | 1          |              |
| 15            | 17.01.00011     | 螺钉       | Screw                       | 1          |              |
| 16            | 13.000.00181    | U型夹线座    | Thread guide base           | 1          |              |
| 17            | 13.000.00182    | 针杆过线板    | Thread guide plate          | 1          |              |
| 18            | 13.000.00183    | 针杆过线压板   | Thread guide pressing plate | 1          |              |
| 19            | 13.000.00184    | 针杆过线弹簧   | Thread eyelet spring        | 1          |              |
| 20            | 17.01.00033     | 螺钉       | Screw                       | 1          |              |
| 21            | 13.000.00185    | 硅油合固定架   | Silicone thread guide base  | 1          |              |
| 22            | 13.000.00186    | 针杆过线座    | Silicone thread guide base  | 1          |              |
| 23            | 17.01.00083     | 螺钉       | Screw                       | 3          |              |
| 24            | 13.000.00187    | 过线杆      | Thread eyelet guided nail   | 3          |              |
| 25            | 17.01.00012     | 螺钉       | Screw                       | 3          |              |
| 26            | 13.000.00192    | 绷针过线组件   | Thread guide                | 1          |              |
| 27            | 13.000.00192-1  | 绷针过线螺帽   | Adjusting nut               | 1          |              |
| 28            | 13.000.00192-2  | 绷针过线下过线板 | Lower thread guide plate    | 1          |              |
| 29            | 13.000.00192-3  | 绷针过线板    | Thread guide plate          | 1          |              |
| 30            | 13.000.00192-4  | 过线压板     | Presser plate               | 2          |              |
| 31            | 13.000.00192-5  | 弹簧       | Presser spring              | 1          |              |
| 32            | 13.000.00192-6  | 螺钉       | Screw                       | 1          |              |
| 33            | 17.05.00041     | 平垫圈      | Washer                      | 3          |              |
| 34            | 13.000.00188    | 针夹右过线杆   | Thread eyelet right BAR     | 1          |              |
| 35            | 13.000.00189    | 张线杆      | Thread eyelet guide lever   | 1          |              |
| 36            | 17.01.00022     | 螺钉       | Screw                       | 2          |              |
| 37            | 13.000.00190    | 上叉挑线杆    | Thread take-up lever        | 1          |              |
| 38            | 17.01.00043     | 螺钉       | Screw                       | 5          |              |
| 39            | 13.000.00191    | 绷针上导线杆   | Upper thread guide plate    | 1          |              |
| 40            | 17.01.00036     | 螺钉       | Screw                       | 2          |              |
| 41            | 17.01.00042     | 螺钉       | Screw                       | 1          |              |



过线器部件/THREAD GUIDE MECHANISM COMPONENTS



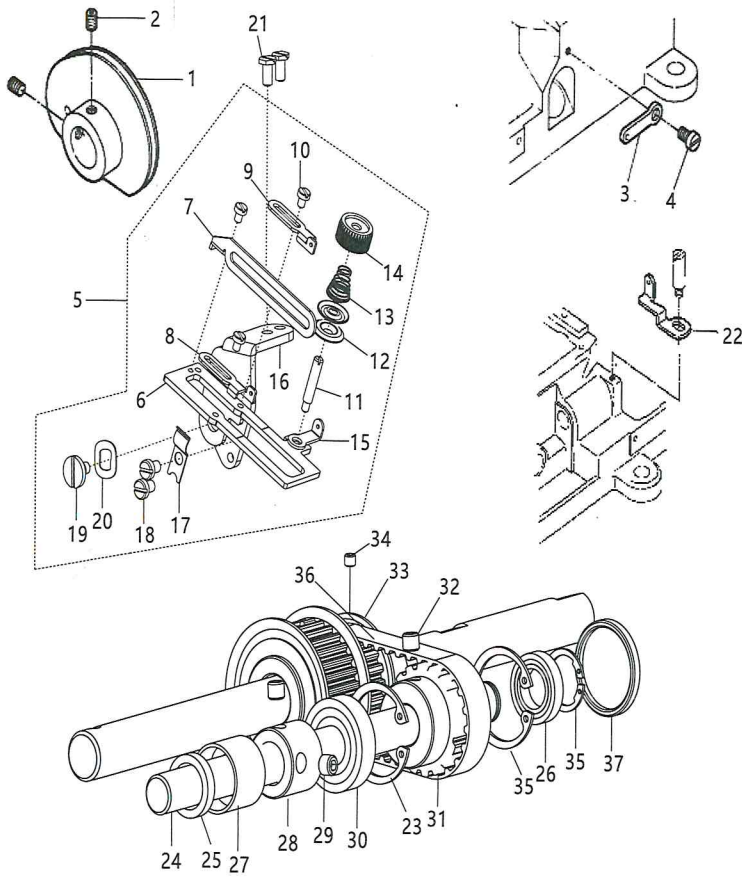
15、过线部件/THREAD GUIDE COMPONENTS



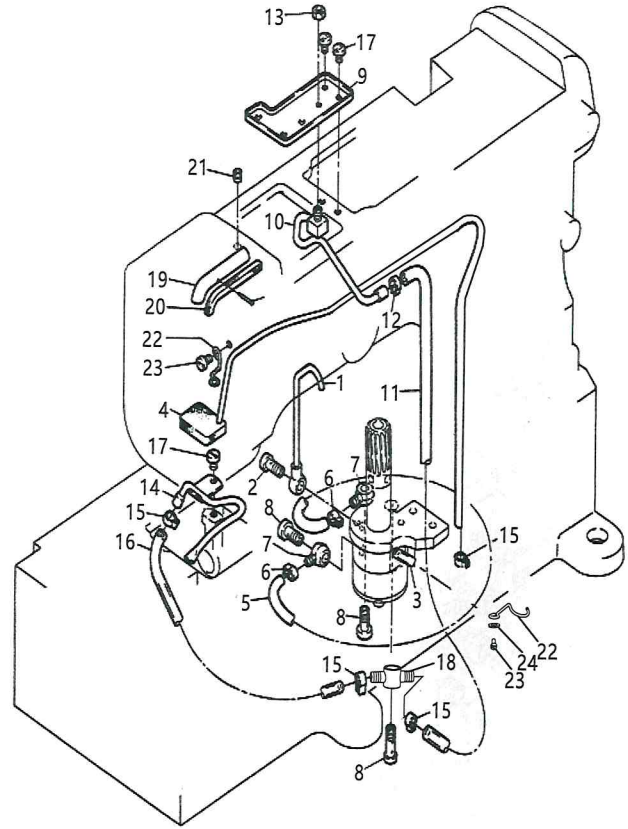
| 物料号<br>Part.No.  | 名称      | Description                    | 数量<br>Q'ty | 备注<br>Remark |
|------------------|---------|--------------------------------|------------|--------------|
| 13.000.00172     | 夹线器大组件  | Thread tension spring ARM      | 1          |              |
| 13.000.00172-1   | 挺线板     | Thread eyelet base             | 1          |              |
| 13.000.00172-2   | 二孔过线板   | Thread guide plate2            | 5          |              |
| 13.000.00172-3   | 螺钉      | Screw                          | 1          |              |
| 13.000.00172-4   | 挺线板弹簧   | Spring                         | 1          |              |
| 13.000.00172-5   | 过线座     | Thread eyelet base             | 2          |              |
| 13.000.00172-6   | 隔套      | Spacer                         | 5          |              |
| 13.000.00172-7   | 夹线器组件A  | Thread tension spring ARM A    | 3          |              |
| 13.000.00172-8   | 夹线器组件B  | Thread tension spring ARM B    | 1          |              |
| 13.000.00172-9   | 夹线器组件C  | Thread tension spring ARM C    | 1          |              |
| 13.000.00172-10  | 夹线螺母(红) | Thread tension nut red         | 1          |              |
| 13.000.00172-11  | 夹线防松圈   | Thread tension ring            | 1          |              |
| 13.000.00172-12  | 夹线簧φ1   | Thread tension spring          | 1          |              |
| 13.000.00172-13  | 夹线座     | Thread tension base            | 1          |              |
| 13.000.00172-14  | 夹线板     | Wood screw                     | 2          |              |
| 13.000.00172-15  | 螺钉      | Screw                          | 1          |              |
| 13.000.00172-16  | 夹线棉垫    | Wool felt                      | 2          |              |
| 13.000.00172-17  | 夹线螺母(黄) | Thread tension nut yellow      | 1          |              |
| 13.000.00172-18  | 夹线簧φ0.6 | Thread tension spring          | 1          |              |
| 13.000.00172-19  | 夹线簧φ0.8 | Thread tension spring          | 1          |              |
| 17.01.00043      | 螺钉      | Screw                          | 2          |              |
| 13.000.00169     | 过线架     | Thread eyelet stand            | 1          |              |
| 17.01.00036      | 螺钉      | Screw                          | 2          |              |
| 13.000.00173     | 挺线杆组件   | Thread eyelet base shaft       | 1          |              |
| 13.000.00170     | 隔套      | Spacer                         | 1          |              |
| 17.02.00168      | 螺钉      | Screw                          | 1          |              |
| 17.05.00037      | 平垫圈     | Washer                         | 1          |              |
| 8.02.06.00020-12 | 挺线杆曲柄   | Thread eyelet base shaft crank | 1          |              |
| 17.01.00079      | 螺钉      | Screw                          | 1          |              |
| 8.02.06.00020-13 | 复位组件    | Screw                          | 1          |              |
| 8.02.06.00020-14 | 螺钉      | Screw                          | 2          |              |

| 序号<br>Ref.No. | 物料号<br>Part.No. | 名称       | Description                 | 数量<br>Q'ty | 备注<br>Remark |
|---------------|-----------------|----------|-----------------------------|------------|--------------|
| 1             | 13.006.00007    | 面线紧勾     | Thread take-up shield       | 1          |              |
| 2             | 17.05.00040     | 平垫圈      | Washer                      | 1          |              |
| 3             | 17.01.00082     | 螺钉       | Screw                       | 1          |              |
| 4             | 13.006.00033    | 针杆上过线    | Needle bar top thread guide | 1          |              |
| 5             | 13.001.00021    | 挑线杆轴     | Thread take-up lever shaft  | 1          |              |
| 6             | 13.000.00009    | 油封       | plug                        | 1          |              |
| 7             | 13.000.00178    | 挑线杆轴紧圈   | Thrust ring                 | 1          |              |
| 8             | 17.02.00183     | 螺钉       | Screw                       | 2          |              |
| 9             | 13.000.00179    | 挑线杆座     | Thread take-up lever base   | 1          |              |
| 10            | 17.05.00077     | 标准型弹簧垫圈5 | Snap ring                   | 1          |              |
| 11            | 17.01.00062     | 螺钉       | Screw                       | 1          |              |
| 12            | 13.000.00180    | 挑线杆      | Thread take-up lever        | 1          |              |
| 13            | 17.05.00031     | 平垫圈      | Screw                       | 1          |              |
| 14            | 17.05.00076     | 标准型弹簧垫圈4 | Snap ring                   | 1          |              |
| 15            | 17.01.00011     | 螺钉       | Screw                       | 1          |              |
| 16            | 13.000.00181    | U型夹线座    | Thread guide base           | 1          |              |
| 17            | 13.000.00182    | 针杆过线板    | Thread guide plate          | 1          |              |
| 18            | 13.000.00183    | 针杆过线压板   | Thread guide pressing plate | 1          |              |
| 19            | 13.000.00184    | 针杆过线弹簧   | Thread eyelet spring        | 1          |              |
| 20            | 17.01.00033     | 螺钉       | Screw                       | 1          |              |
| 21            | 13.000.00185    | 硅油合固定架   | Silicone thread guide base  | 1          |              |
| 22            | 13.000.00186    | 针杆过线座    | Silicone thread guide base  | 1          |              |
| 23            | 17.01.00083     | 螺钉       | Screw                       | 3          |              |
| 24            | 13.000.00187    | 过线杆      | Thread eyelet guided nail   | 3          |              |
| 25            | 17.01.00012     | 螺钉       | Screw                       | 3          |              |
| 26            | 13.000.00192    | 绷针过线组件   | Thread guide                | 1          |              |
| 27            | 13.000.00192-1  | 绷针过线螺帽   | Adjusting nut               | 1          |              |
| 28            | 13.000.00192-2  | 绷针过线下过线板 | Lower thread guide plate    | 1          |              |
| 29            | 13.000.00192-3  | 绷针过线板    | Thread guide plate          | 1          |              |
| 30            | 13.000.00192-4  | 过线压板     | Presser plate               | 2          |              |
| 31            | 13.000.00192-5  | 弹簧       | Presser spring              | 1          |              |
| 32            | 13.000.00192-6  | 螺钉       | Screw                       | 1          |              |
| 33            | 17.05.00041     | 平垫圈      | Washer                      | 3          |              |
| 34            | 13.000.00188    | 针夹右过线杆   | Thread eyelet right BAR     | 1          |              |
| 35            | 13.000.00189    | 张线杆      | Thread eyelet guide lever   | 1          |              |
| 36            | 17.01.00022     | 螺钉       | Screw                       | 2          |              |
| 37            | 13.000.00190    | 上叉挑线杆    | Thread take-up lever        | 1          |              |
| 38            | 17.01.00043     | 螺钉       | Screw                       | 5          |              |
| 39            | 13.000.00191    | 绷针上导线杆   | Upper thread guide plate    | 1          |              |
| 40            | 17.01.00036     | 螺钉       | Screw                       | 2          |              |

16、下过线部件/LOWER THWER TENSION COMPONENTS



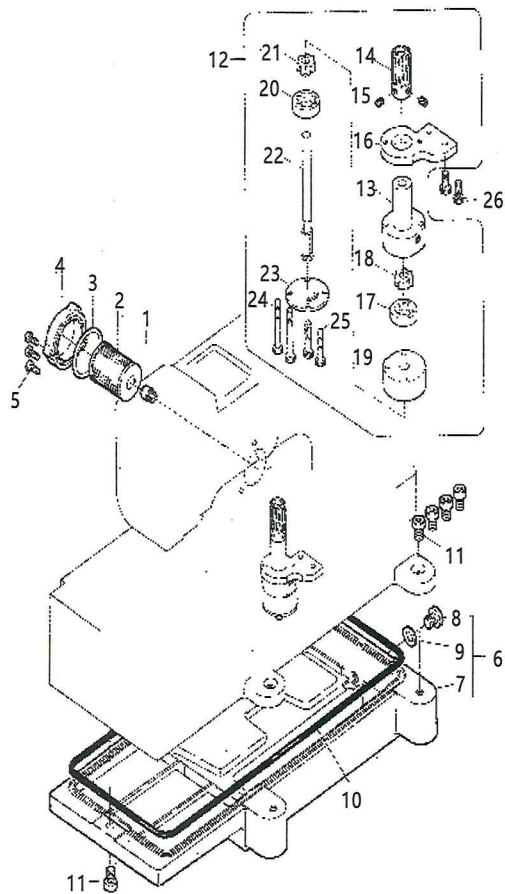
17、供油部件/LUBRICATION MECHNISM COMPONENTS



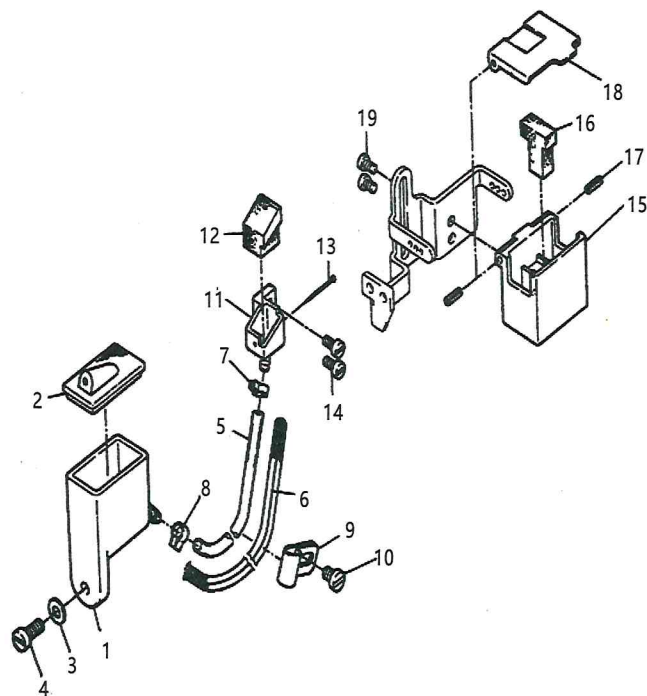
| 序号<br>Ref.No. | 物料号<br>Part.No. | 名称       | Description            | 数量<br>Q'ty | 备注<br>Remark |
|---------------|-----------------|----------|------------------------|------------|--------------|
| 1             | 13.000.00200    | 凸轮组件     | CAM ASM                | 1          |              |
| 2             | 17.01.00010     | 螺钉       | Screw                  | 2          |              |
| 3             | 13.000.00193    | 过线板      | Thread guide plate     | 1          |              |
| 4             | 17.01.00036     | 螺钉       | Screw                  | 1          |              |
| 5             | 13.000.00201    | 打线架组件    | Bracket                | 1          |              |
| 6             | 13.000.00201-1  | 打线架      | Bracket                | 1          |              |
| 7             | 13.000.00201-2  | 打线片      | Thread guide           | 1          |              |
| 8             | 13.000.00201-3  | 左过线片     | Thread guide ( left )  | 2          |              |
| 9             | 13.000.00201-4  | 右过线片     | Thread guide ( right ) | 1          |              |
| 10            | 17.01.00019     | 螺钉       | Screw                  | 3          |              |
| 11            | 13.000.00201-5  | 螺钉       | Screw                  | 1          |              |
| 12            | 13.000.00201-6  | 过线压板     | Presser plate          | 2          |              |
| 13            | 13.000.00201-7  | 弹簧       | Press spring           | 1          |              |
| 14            | 13.000.00201-8  | 绷针过线螺帽   | Tension nut            | 1          |              |
| 15            | 13.000.00201-9  | 小夹线过线板   | Thread guide           | 1          |              |
| 16            | 13.000.00201-10 | 打线座      | Bracket                | 1          |              |
| 17            | 13.000.00201-11 | 卡簧片      | Clamp                  | 1          |              |
| 18            | 13.000.00201-12 | 螺钉       | Screw                  | 2          |              |
| 19            | 13.000.00201-13 | 螺钉       | Screw                  | 1          |              |
| 20            | 17.05.00030     | 波形垫圈     | Washer                 | 2          |              |
| 21            | 17.01.00100     | 螺钉       | Screw                  | 2          |              |
| 22            | 13.000.00194    | 弯针过线板    | Therad guide plate     | 1          |              |
| 23            | 17.05.00010     | 弹性挡圈     | Snap rign              | 1          |              |
| 24            | 13.000.00195    | 打线凸轮轴    | Shaft                  | 1          |              |
| 25            | 13.006.00022    | 油封φ12    | plug                   | 1          |              |
| 26            | 17.06.00003     | 轴承       | Bushing                | 1          |              |
| 27            | 13.006.00020    | 打线凸轮铜套   | bushing                | 1          |              |
| 28            | 13.006.00021    | 打线凸轮铜套紧圈 | bushing                | 1          |              |
| 29            | 17.03.00011     | 螺钉       | Screw                  | 2          |              |
| 30            | 17.06.00002     | 轴承       | Bushing                | 1          |              |
| 31            | 13.000.00196    | 小同步带轮1   | Small gear1            | 1          |              |
| 32            | 17.03.00011     | 螺钉       | Screw                  | 2          |              |
| 33            | 13.000.00197    | 小同步带轮2   | Small gear2            | 1          |              |
| 34            | 17.01.00126     | 螺钉       | Screw                  | 2          |              |
| 35            | 17.05.00012     | 弹性挡圈     | Snap rign              | 2          |              |
| 36            | 13.000.00198    | 小同步带     | Small timing belt      | 1          |              |
| 37            | 13.000.00199    | 油封φ12    | plug                   | 1          |              |

| 序号<br>Ref.No. | 物料号<br>Part.No. | 名称       | Description             | 数量<br>Q'ty | 备注<br>Remark |
|---------------|-----------------|----------|-------------------------|------------|--------------|
| 1             | 13.000.00202    | 铜油管      | Oil pipe                | 1          |              |
| 2             | 17.02.00016     | 螺钉       | Screw                   | 1          |              |
| 3             | 17.01.00035     | 螺钉       | Screw                   | 1          |              |
| 4             | 13.000.00049    | 上轴回油管组件  | Oil tube                | 1          |              |
| 5             | 16.05.00014     | 油管       | Oil tube                | 1          |              |
| 6             | 13.000.00203    | 卡簧7      | Clamp                   | 2          |              |
| 7             | 13.000.00204    | 油管接头     | Terminal(single hole)   | 2          |              |
| 8             | 17.02.00012     | 螺钉       | Screw                   | 3          |              |
| 9             | 13.000.00205    | 上油盘      | Upper oil tube          | 1          |              |
| 10            | 13.000.00206    | 油管组件     | Oil tube complete       | 1          |              |
| 11            | 16.05.00014     | 油管       | Oil tube                | 1          |              |
| 12            | 13.000.00207    | 卡簧6.5    | Clamp                   | 1          |              |
| 13            | 17.04.00015     | 螺母       | Nut M4                  | 1          |              |
| 14            | 13.000.00208    | 下油管      | Lower oil tube complete | 1          |              |
| 15            | 13.000.00209    | 卡簧6.2    | Clamp                   | 4          |              |
| 16            | 16.05.00014     | 油管       | Oil tube                | 1          |              |
| 17            | 17.01.00022     | 螺钉       | Screw                   | 3          |              |
| 18            | 13.000.00210    | 油管接头 (双) | Terminal                | 1          |              |
| 19            | 13.000.00212    | 铜油管      | Oil pipe                | 1          |              |
| 20            | 13.000.00213    | 羊毛毡      | Wool felt               | 1          |              |
| 21            | 17.01.00078     | 螺钉       | Screw                   | 1          |              |
| 22            | 13.000.00211    | 油管定位钩    | Oil tube holder         | 2          |              |
| 23            | 17.01.00043     | 螺钉       | Screw                   | 2          |              |
| 24            | 17.01.00043     | 平垫圈      | Warsher                 | 1          |              |

### 18、油泵部件/PUMP COMPONENTS



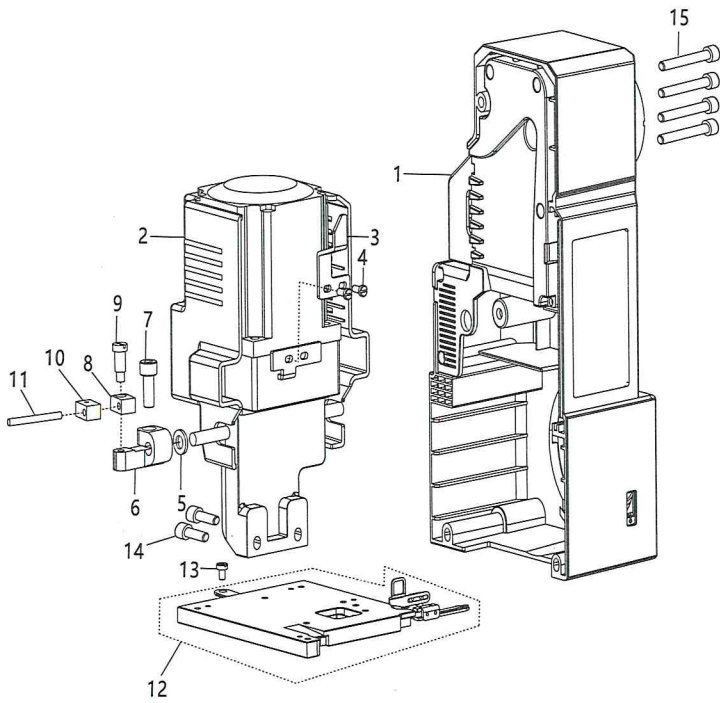
### 19、机针冷却器部件/NEEDLE COOLING MECHANISM COMPONENTS



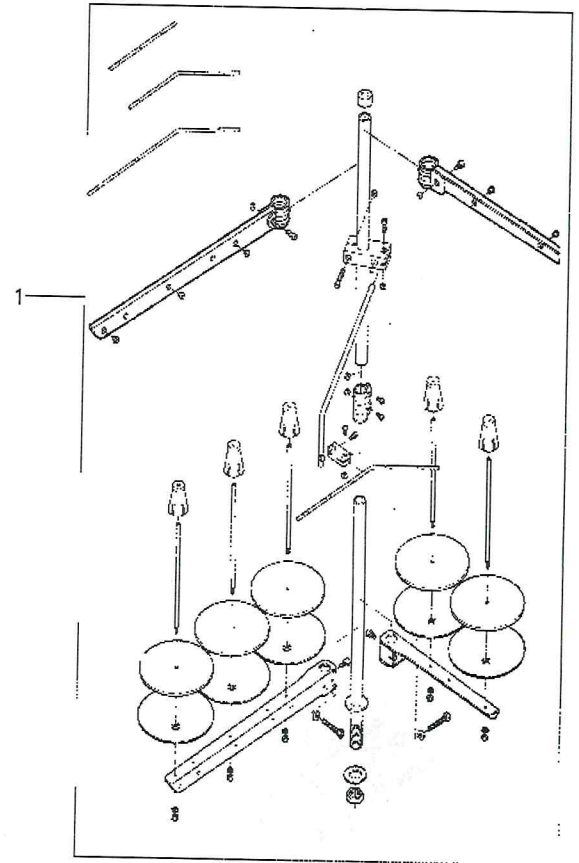
| 序号<br>Ref.No. | 物料号<br>Part.No. | 名称     | Description                 | 数量<br>Q'ty | 备注<br>Remark |
|---------------|-----------------|--------|-----------------------------|------------|--------------|
| 1             | 13.000.00214    | 滤油器螺钉  | Pump filter screw SM3/8"×28 | 1          |              |
| 2             | 13.000.00215    | 滤油器    | Pump filter                 | 1          |              |
| 3             | 13.000.00216    | O形圈    | O-ring                      | 1          |              |
| 4             | 20.02.03.00062  | 滤油器盖   | Pump filter cover           | 1          |              |
| 5             | 17.01.00091     | 螺钉     | Screw                       | 3          |              |
| 6             |                 | 油盘组件   | Oil pan ASM                 | 1          |              |
| 7             | 13.000.00218    | 油盘     | Oil pan                     | 1          |              |
| 8             | 17.02.00017     | 螺钉     | Screw                       | 5          |              |
| 9             | 13.000.00219    | 油封     | plug                        | 1          |              |
| 10            | 13.000.00217    | 油盘垫    | Oil protecting gasket       | 1          |              |
| 11            | 17.01.00009     | 螺钉     | Screw                       | 1          |              |
| 12            | 13.000.00220    | 油泵组件   | Pump complete               | 1          |              |
| 13            | 13.000.00220-1  | 油泵体    | Upper pump body             | 1          |              |
| 14            | 13.000.00220-2  | 油泵蜗轮   | Small gear wheel            | 1          |              |
| 15            | 17.01.00078     | 螺钉     | Screw                       | 2          |              |
| 16            | 13.000.00220-3  | 固定板    | Fixing plate                | 1          |              |
| 17            | 13.000.00220-4  | 外齿轮    | Inner gear wheel            | 1          |              |
| 18            | 13.000.00220-5  | 内齿轮    | Gear wheel(LOWER)           | 1          |              |
| 19            | 13.000.00220-6  | 油泵体壳   | Pump body                   | 1          |              |
| 20            | 13.000.00220-7  | 长轴外齿轮  | Inner gear wheel            | 1          |              |
| 21            | 13.000.00220-8  | 长轴齿轮   | Gear wheel(UPPER)           | 1          |              |
| 22            | 13.000.00220-9  | 油泵齿轮长轴 | Shaft                       | 1          |              |
| 23            | 13.000.00220-10 | 油泵底板   | Motherboard                 | 1          |              |
| 24            | 13.000.00220-11 | 螺钉     | Screw                       | 2          |              |
| 25            | 13.000.00220-12 | 螺钉     | Screw                       | 2          |              |
| 26            | 17.01.00141     | 螺钉     | Screw                       | 2          |              |

| 序号<br>Ref.No. | 物料号<br>Part.No. | 名称        | Description                 | 数量<br>Q'ty | 备注<br>Remark |
|---------------|-----------------|-----------|-----------------------------|------------|--------------|
| 1             | 13.000.00221    | 硅油盒       | Silicone oil resevoir       | 1          |              |
| 2             | 13.000.00222    | 硅油盒盖      | Silicone oil resevoir cover | 1          |              |
| 3             | 17.05.00041     | 平垫圈       | Warsher                     | 1          |              |
| 4             | 17.01.00090     | 螺钉        | Screw                       | 1          |              |
| 5             | 16.05.00014     | 油管        | Oil tube                    | 1          |              |
| 6             | 16.05.00013     | 油线        | Oil wick                    | 1          |              |
| 7             | 13.000.00209    | 卡簧6.2     | Clamp                       | 1          |              |
| 8             | 13.000.00207    | 卡簧6.5     | Clamp                       | 1          |              |
| 9             | 13.000.00223    | 油线压板      | Oil wick press plate        | 1          |              |
| 10            | 17.01.00022     | 螺钉        | Screw                       | 1          |              |
| 11            | 13.000.00224    | 硅油盒壳体     | Silicone oil resevoir bady  | 1          |              |
| 12            | 13.000.00225    | 硅油盒壳体油毡   | Silicone oil resevoir felt  | 1          |              |
| 13            | 16.05.00021     | 大头针       | Pin                         | 1          |              |
| 14            | 17.01.00020     | 螺钉        | Screw                       | 2          |              |
| 15            | 13.000.00226    | 上硅油盒      | Silicone oil case(upper)    | 1          |              |
| 16            | 13.000.00227    | 上硅油盒油毡    | Silicone oil felt(upper)    | 1          |              |
| 17            | 13.000.00229    | 上硅油盒弹簧圆柱销 | Elastic pin                 | 2          |              |
| 18            | 13.000.00228    | 上硅油盒盖     | Silicone oil cover(upper)   | 1          |              |
| 19            | 17.01.00146     | 木螺钉       | Screw                       | 2          |              |

20、电机部件/STEP MOTOR COMPONENTS



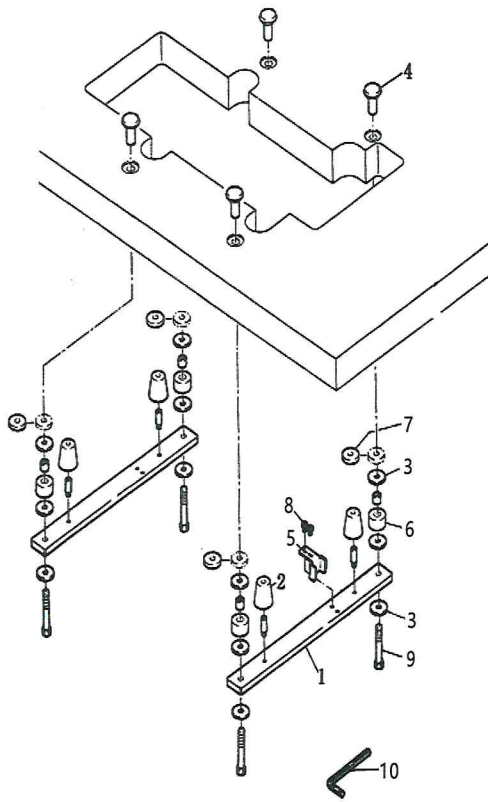
21、线架部件/THREAD STAND COMPONENTS



| 序号<br>Ref.No. | 物料号<br>Part.No.   | 名称     | Description                   | 数量<br>Q'ty | 备注<br>Remark |
|---------------|-------------------|--------|-------------------------------|------------|--------------|
| 1             | 18.02.01.00027    | 电控组件   | Electronic control component  | 1          |              |
| 2             | 18.02.06.00020-1  | 步进电机   | Stepmotor                     | 1          |              |
| 3             | 18.02.06.00020-2  | 挡板     | Guard                         | 1          |              |
| 4             | 18.02.06.00020-3  | 螺钉     | Screw                         | 1          |              |
| 5             | 18.02.06.00020-4  | 橡胶垫    | Rubber cushion                | 1          |              |
| 6             | 18.02.06.00020-5  | 步进剪线曲柄 | Stepping thread cutting crank | 1          |              |
| 7             | 18.02.06.00020-6  | 螺钉     | Screw                         | 1          |              |
| 8             | 18.02.06.00020-7  | 垫块     | Heel                          | 1          |              |
| 9             | 18.02.06.00020-8  | 螺钉     | Screw                         | 1          |              |
| 10            | 18.02.06.00020-9  | 垫块     | Heel                          | 1          |              |
| 11            | 18.02.06.00020-10 | 销      | Crankpin                      | 1          |              |
| 12            | 13.001.00085-1    | 自动拔线装置 | Wire cutter assembly          | 1          |              |
| 13            | 13.001.00085-2    | 螺钉     | Screw                         | 1          |              |
| 14            | 18.02.06.00020-11 | 螺钉     | Screw                         | 2          |              |
| 15            | 17.01.00122       | 螺钉     | Screw                         | 4          |              |

| 序号<br>Ref.No. | 物料号<br>Part.No. | 名称   | Description           | 数量<br>Q'ty |
|---------------|-----------------|------|-----------------------|------------|
| 1             | 15.04.00032     | 线架组件 | Thread stand complete | 1套         |

22、附件/ACCESSORIES PARTS



| 序号<br>Ref.No. | 物料号<br>Part.No. | 名称        | Description           | 数量<br>Q'ty | 备注<br>Remark |
|---------------|-----------------|-----------|-----------------------|------------|--------------|
| 1             | 15.05.00024     | 支撑板       | Oil pipe              | 1套         |              |
| 2             | 15.05.00014     | 防震套       | Screw                 | 4          |              |
| 3             | 15.05.00033     | 大垫圈12     | Screw                 | 8          |              |
| 4             | 15.05.00013     | 托盘螺钉固定头螺母 | Oil tube              | 4          |              |
| 5             | 15.05.00023     | 拉链限位板     | Oil tube              | 1          |              |
| 6             | 15.05.00020     | 橡胶垫Φ10    | Terminal(single hole) | 4          |              |
| 7             | 15.05.00031     | 塑料垫圈      | Screw                 | 4          |              |
| 8             | 17.01.00036     | 螺钉        | Oil tube complete     | 2          |              |
| 9             | 15.05.00012     | 托盘螺钉固定头螺钉 | Oil tube              | 4          |              |
| 10            | 15.04.00007     | 内六角       | Clamp                 | 1套         |              |